



FLEXHOOD

Modular extraction hood isolates
any welding workshop



DO YOU PROTECT YOUR WELDERS?

We do. Plymovent offers products and systems to primarily protect welders as inhaling harmful welding fumes can have a negative effect on one person's health.

Plymovent manufactures high-quality products and systems and offers services for the extraction and filtration of welding and cutting fumes, grinding dust and oil mist in the metalworking industry. Our products contribute significantly to a better working environment.

Whether you extract welding fumes at the source, through downdraft or backdraft workbenches, extraction hoods or a general ventilation and filtration system, you always need to be in control.

Plymovent products keep the background concentration level of welding fume within the legal limits, in accordance with the international guidelines.

FLEXHOOD

The extraction hood of Plymovent, FlexHood, has been designed to isolate a welding/cutting workplace. This can either be a robotic machine or a workbench/workshop.

The extraction hood isolates a welding workplace. It makes sure that the working environment stays clean from lingering welding fumes. Additionally it ensures that sparks and spatter stay inside the hood, protecting people working nearby.

PERSONAL PROTECTION

As an extraction hood does not extract welding fume directly at the source –as extraction arms do– the welders need to wear overpressure helmets to secure their health.

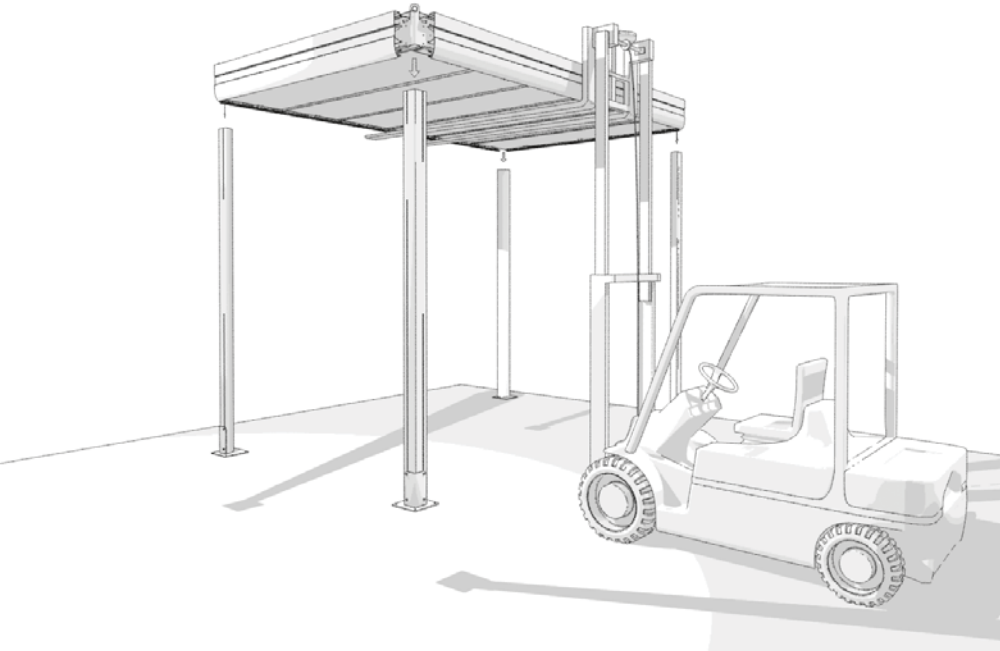
HEALTH & SAFETY REGULATIONS

On top of the fact that you want to offer a healthy working environment to your employees, you are also required to meet the occupational health & safety regulations. Plymovent systems can play a significant role in meeting these requirements.

SAFETY ABOVE ALL

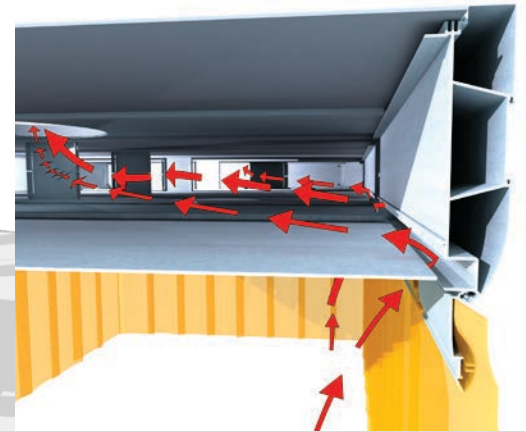
For safety reasons and superb extraction we highly recommend welding strips. The spark resistant strips are optional and can be used to isolate a dedicated working area. Furthermore, the welding strips keep other airflows -like draught- outside the hood. This way the controlled airflow prevents fumes from lingering and escaping the hood.

“The extraction hood can easily be mounted on the spot by professional installers. Maintenance is easy, thanks to its modular components, like the removable roof.”



RIM EXTRACTION SYSTEM

Plymovent developed a framework to optimise the airflow and to extract fumes effectively. In traditional welding hoods extraction often takes place in the middle, whereas the FlexHood has rim extraction at the sides of the hood extracting more fumes. Additionally the deflector plate ensures that sparks are intercepted, reducing the risk of fire considerably.



FEATURES

- Modular concept, meets any requirements.
- Functional design, freestanding unit.
- Effective extraction, thanks to rim extraction.
- Controlled airflow.
- Smart deflector plate decreases the risk of fire.
- Easy to maintain, thanks to removable hood.
- Expandable with various options.

ENERGY SAVING

The FlexHood can be connected to the fans, filtration units and controls of Plymovent. A fully-controlled system is the most efficient, saving you money on operational costs.

MODULAR DESIGN

The fact that the extraction hood of Plymovent comes in modular parts makes flexibility a top feature. You can tailor the FlexHood in such a way that it meets all your requirements.

The hood can be hung from the ceiling or placed on standards. We offer various welding strips, from clean transparent to non-transparent strips for full eye protection. Lighting fixtures and several mounting sets are optional and can optimise your hood.

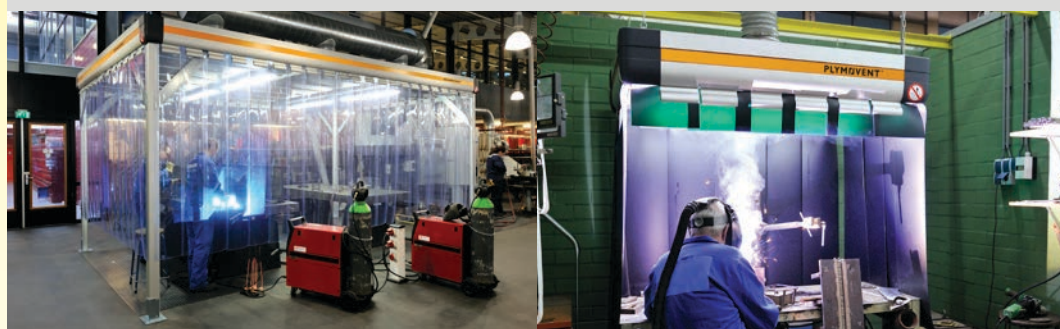
FlexHood XL with aluminium legs, floor mounting plates, lighting fixture, clear transparent welding strips and corner reinforcement.

Plymovent's FlexHood can isolate a welding area from 1½ m² (1 x 1.5 m) up to 30 m² (5.5 x 5.5 m). The legs can be cut to any requested length or you can hang the hood from the ceiling at a specific height.

ROBOTIC INSTALLATIONS

FlexHood is often used to cover a robotic welding machine. The rising welding fumes are intercepted and extracted straight away via the rim extraction system in the main profiles of the roof.

Hanging FlexHood with lighting fixture and non-transparent dark green welding strips.





PLYMOVENT OFFERS TOTAL SOLUTIONS FOR AIR CLEANING

Everyone knows that high-quality extraction and effective filtration systems in the metalworking industry are long-term investments. Not only are they required to make sure that the legal limits for welding fume are not exceeded, they also create a cleaner, safer and healthier working environment. The result: satisfied employees, increased productivity and less absenteeism due to illness.

Plymovent offers complete solutions for air cleaning. We have 40 years of experience in the extraction and filtration of welding fumes, grinding dust and oil mist in the metalworking industry. We are also specialists in the extraction of vehicle exhaust fumes and the removal of other impurities from indoor air.

For more information please contact Plymovent directly, one of our authorised distributors or visit our website www.plymovent.com.

PLYMOVENT®
clean air at work

Plymovent Inc.

4090B Sladeview Cres. unit 1
Mississauga ON L5L 5Y5
Canada

T +1 905 564 4748
F +1 905 564 4609
E ip.info@plymovent.com

Your authorised Plymovent distributor:

Plymovent cares about the air you breathe. We offer products, systems and services which ensure clean air at work, anywhere in the world.

We respect the environment and we deliver high-quality products. Our expertise gained over many years and our genuine commitment to customer requirements enable us to provide precisely the solutions you need.