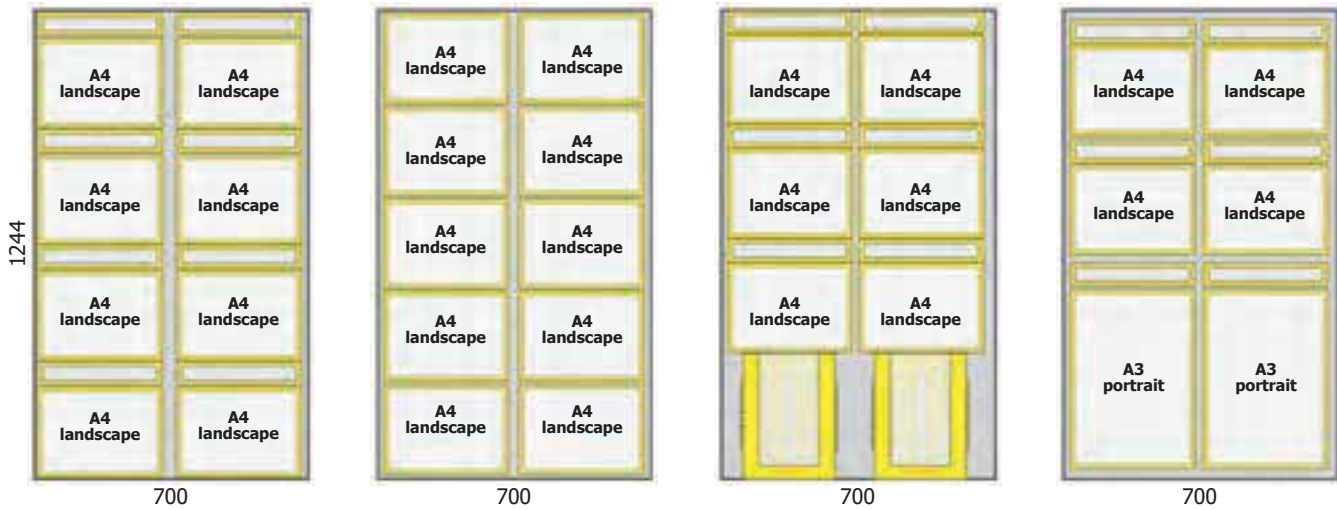
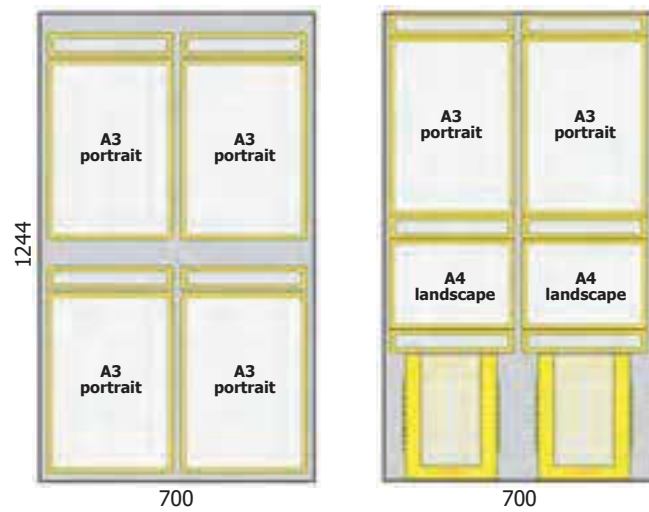


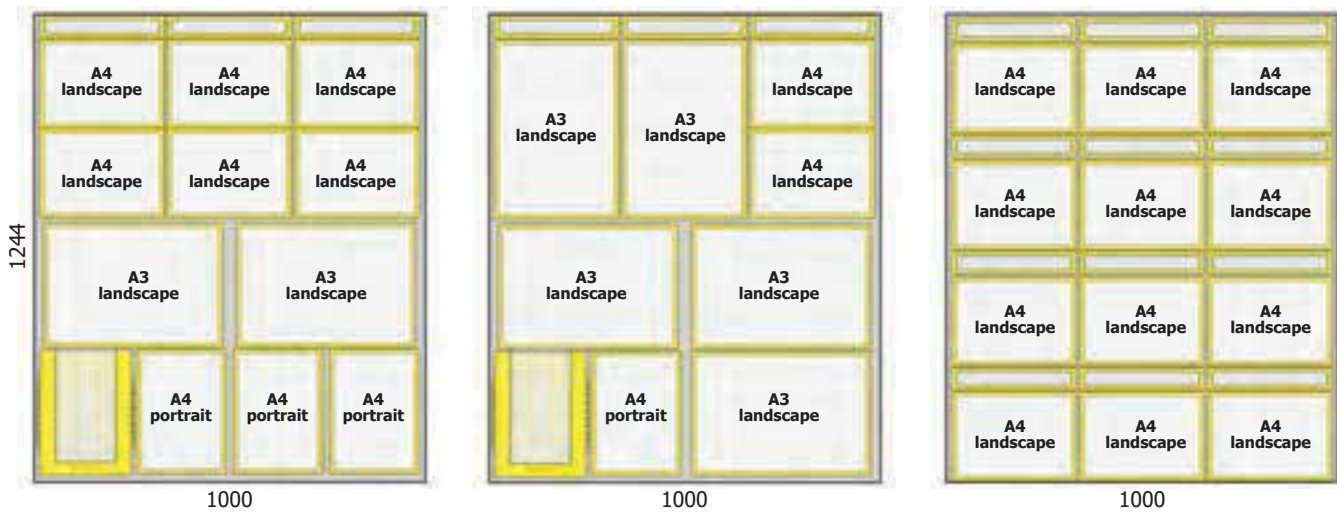
panel width 700 mm



panel width 700 mm



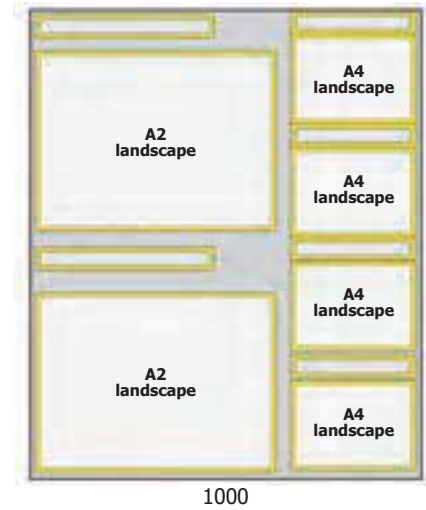
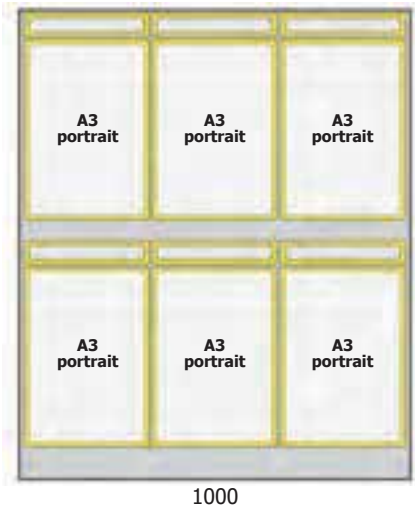
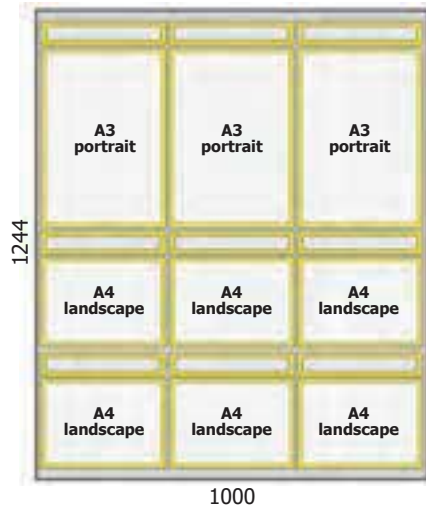
panel width 700 mm



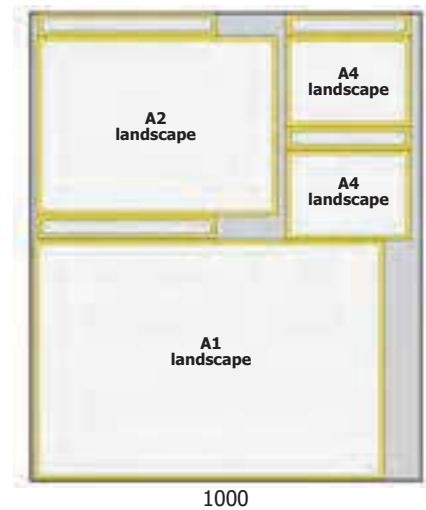
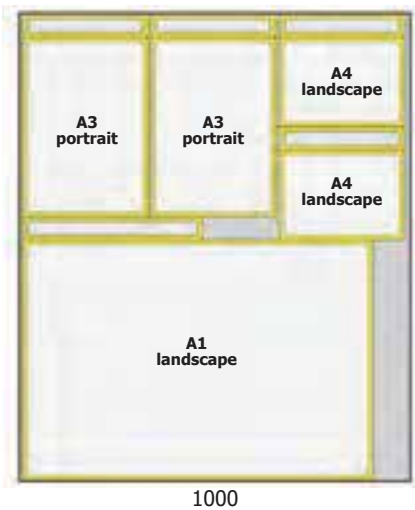
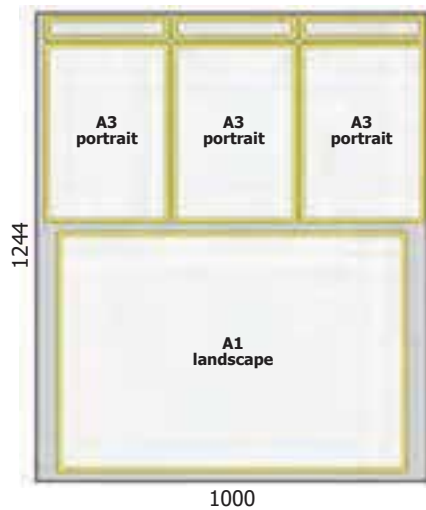
Visual Boards

Configuration examples for white/grey boards or sandwich plates with magnetic windows

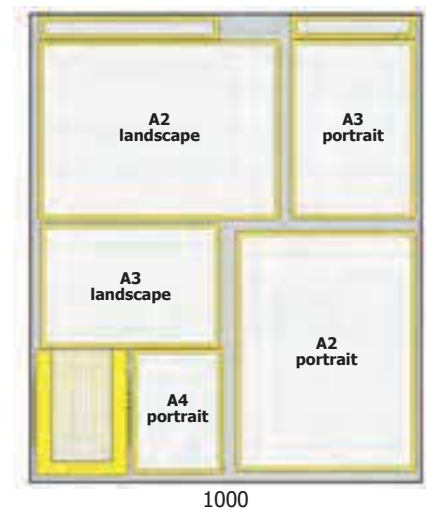
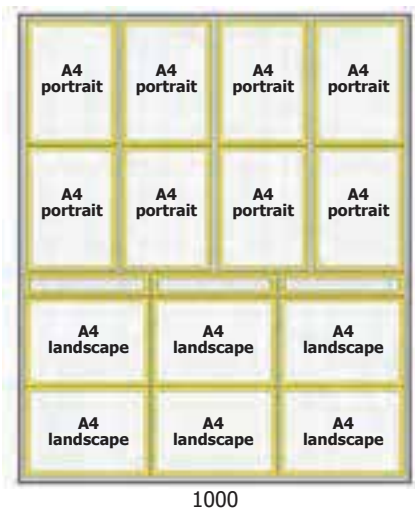
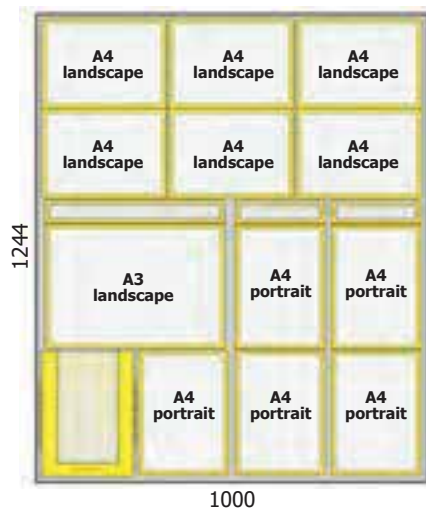
panel width 1000 mm



panel width 1000 mm



panel width 1000 mm



Configuration examples magnetic windows

Visual Boards

Quality Seal – Customising your board



ORGATEX® Quality Seal

Contrary to conventional standard boards, we offer a modular system for our Visual Boards. Process boards, thus, can be customized to meet your requirements. Our robust boards are designed for an industrial environment. Take our Quality Seal as a guarantee.

Customized headings

As a special service we provide the option to integrate customized headlines into your boards. Send us your headlines or logos in conventional file format and our graphics department will integrate them accordingly to your requirements and CI. Your board will be delivered individualised at your site.



Visual Boards

Accessories

Marker Holder, magnetic	Description	Item Number			
	Marker Holder, magnetic	VB-SH-MA			
Document Clip, magnetic	Description	Item Number			
	Document Clip, magnetic	VB-DC-MA-20		Units per package = 5 pieces	
Label Holder for value Stream Mapping symbols	Description	Item Number	Dimensions W x H (mm)	Label Holders per pack	Matching Cardboard Label
	Magnetic Label Holder, large	HE148-105	105 x 148	50	ET105-148
	Magnetic Label Holder, small	HE547-75	75 x 47	50	ET475
	Description	Item Number	Dim. W x H (mm)	Labels / pack	Sheets DIN A4 / pack
	Cardboard Labels	ET105-148	105 x 148	40	10
	Cardboard Labels	ET475	75 x 47	120	10
- Front: transparent - Back: magnetic					
Sticker Block Smiley	Description	Item Number	Diameter Sticker (mm)	Sticker / pack	Blocks / pack
	Sticker Block Smiley	VB-ZB001	30	1200	20
Whiteboard Markers	Description	Item Number			
	Whiteboard Markers	VB-WS4		Units per package = 4 pieces	
Whiteboard Marker Holder, magnetic	Description	Item Number			
	Whiteboard Marker Holder	VB-SH4-MA			
Board Assistant, magnetic	Description	Item Number			
	Board Assistant, magnetic	VB-BA-MA			
	Refill Blotting Paper	VB-LP		Units per package = 100 pieces	
	Magnetic container, which holds accessories, cover serves as eraser				

Visual Boards

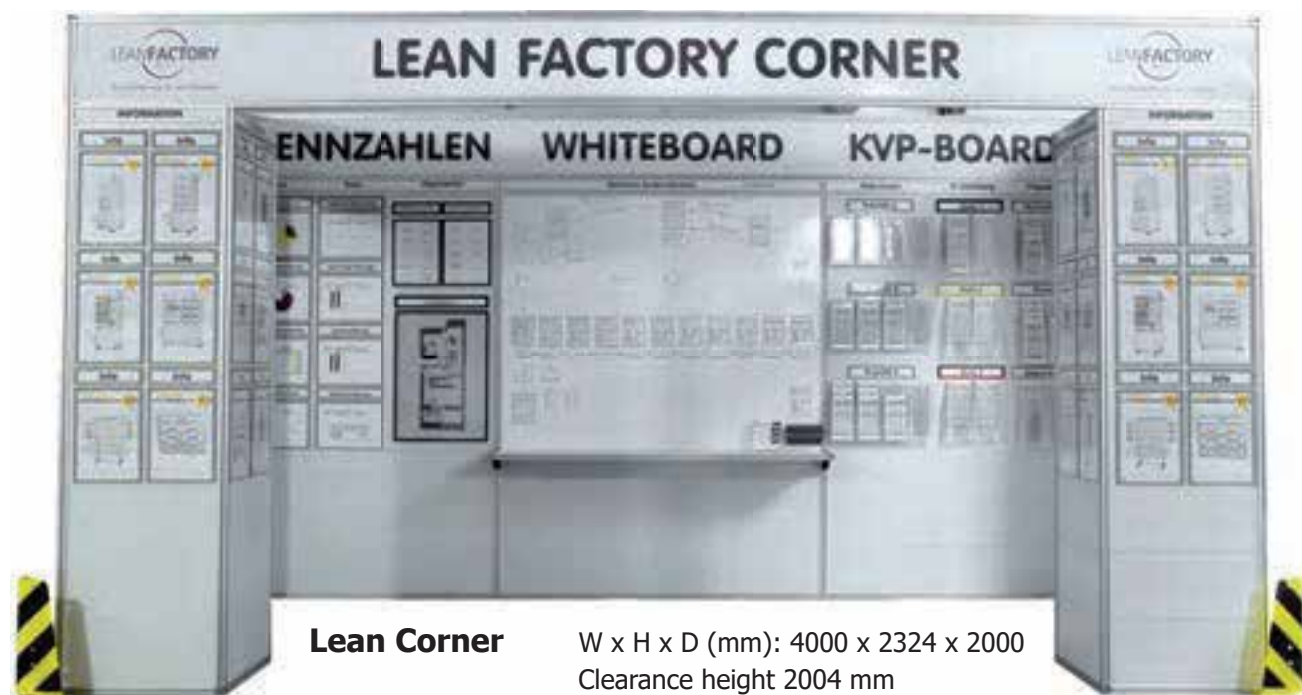
Application and custom-made examples



Lot-Size-KANBAN



Lean Cube with KANBAN



Lean Corner

W x H x D (mm): 4000 x 2324 x 2000
Clearance height 2004 mm

Material Flow

Introduction

Transport & Supply

ORGATEX® provides material transportation solutions to enable Lean Logistics;

- Tote/KLT Dollies
- Adapterpallets
- Pallet Dollies
- Shelf Wagons
- Taxi Wagons

Organization

ORGATEX® provides a number of solutions specifically tailored to organize your rolling material on the factory floor;

- Monorail-Stations
- FIFO-Stations
- Parking-Slot
- Related labeling and signage



Material Flow
Content



Material Transport

- Dollies
- Shelfwagon
- Adapter pallet
- Taxiwagon



Material Flow

- Supermarkets / FiFo-Stations
- Parking Slots
- KLT-Lifter

Material flow principle

Supplier side



1. Containers are loaded with goods and transported to the FiFo-Station ...



2. ... containers are transported to shipment.



3. Goods are stacked on Adapter Pallets ...



4. ... and provided for transport.



5. Adapter Pallets loaded with goods are loaded onto the truck.

Customer side



6. Adapter Pallets are unloaded from the truck ...



7. ... transported to the ship-to-dock warehouse ...



8. ... and transported to the processing workstations via milk run.



9. Thus there is a cyclic material provision guaranteed - from delivery to shipment.

Material Transport

Internal supply



Material Transport

Internal supply

Ensuring more efficient, forklift-free internal logistics can cut the costs of inventory, handling and in-house transportation.

Increased efficiency also means space optimization, shorter turnaround times.



Material Transport

Dolly

400 x 400 mm

Dolly

312 x 467 mm



RFID tag
integrated



ESD version
available



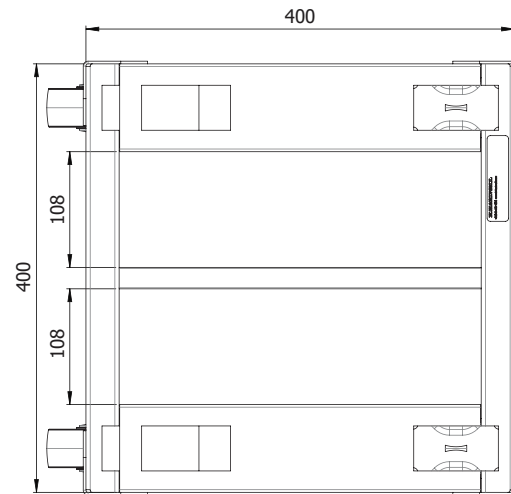
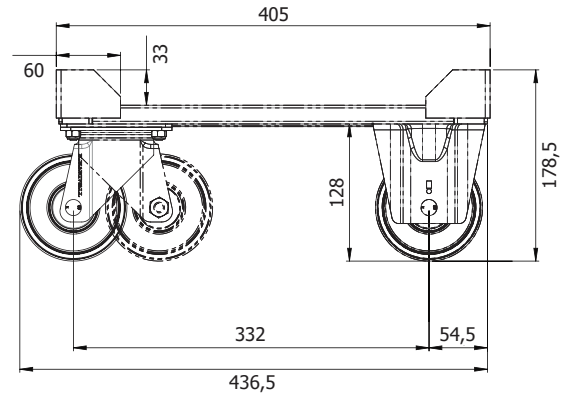
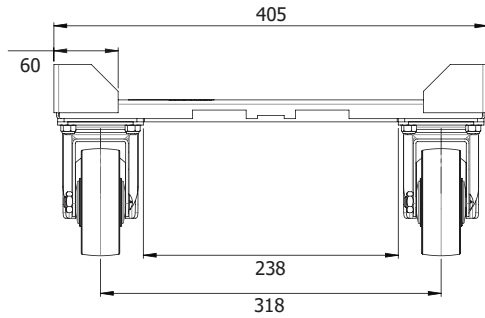
Specifications 400 x 400 mm



- material: steel
- weight: 6 KG
- max. load: 160 KG
- caster wheel diameter: 100 mm
- stackable
- wheels for various uses
- ESD Version upon request
- in accordance with DIN ISO 9001 / 14001
- suitable for transport on adapter pallet

Specifications 312 x 467 mm

- material: steel
- weight: 6 KG
- max. load: 250 KG
- caster wheel diameter: 100 mm
- stackable
- with blister edge for smooth container bases
- caster with brakes
- ESD Version upon request
- in accordance with DIN ISO 9001 / 14001

Dolly 400 x 400 mm / 312 x 467 mm



Dolly 400 x 400 / 312 x 467 mm	Item Number	Description	Swiveling / fixed wheels	Width mm	Length mm	
	MAT-BORO-3	Dolly without shaft	2 / 2 (Plastic)	400	400	
	MAT-BORO-K50	Dolly without shaft	2 / 2 (Plastic)	312	467	
						
Produced by K.HARTWALL						

Dolly 400 x 400 mm / 312 x 467 mm

Material Transport

Dolly

400 x 600 mm



RFID tag
integrated



ESD version
available



ISO size available



Specifications

- material: steel
- weight: 6,5 KG
- max. load: 250 KG
- caster wheel diameter: 100 mm
- compatible with containers in Euro standard
- route train compatible
(towing device depending on design)
- high directional stability
- stackable
- wheels for various uses
- ESD Version upon request
- in accordance with DIN ISO 9001 / 14001
- suitable for transport on adapter pallet
- with blister edge for smooth container bases

Accessories



- drip-tight oilsump

Dolly 400 x 600 mm

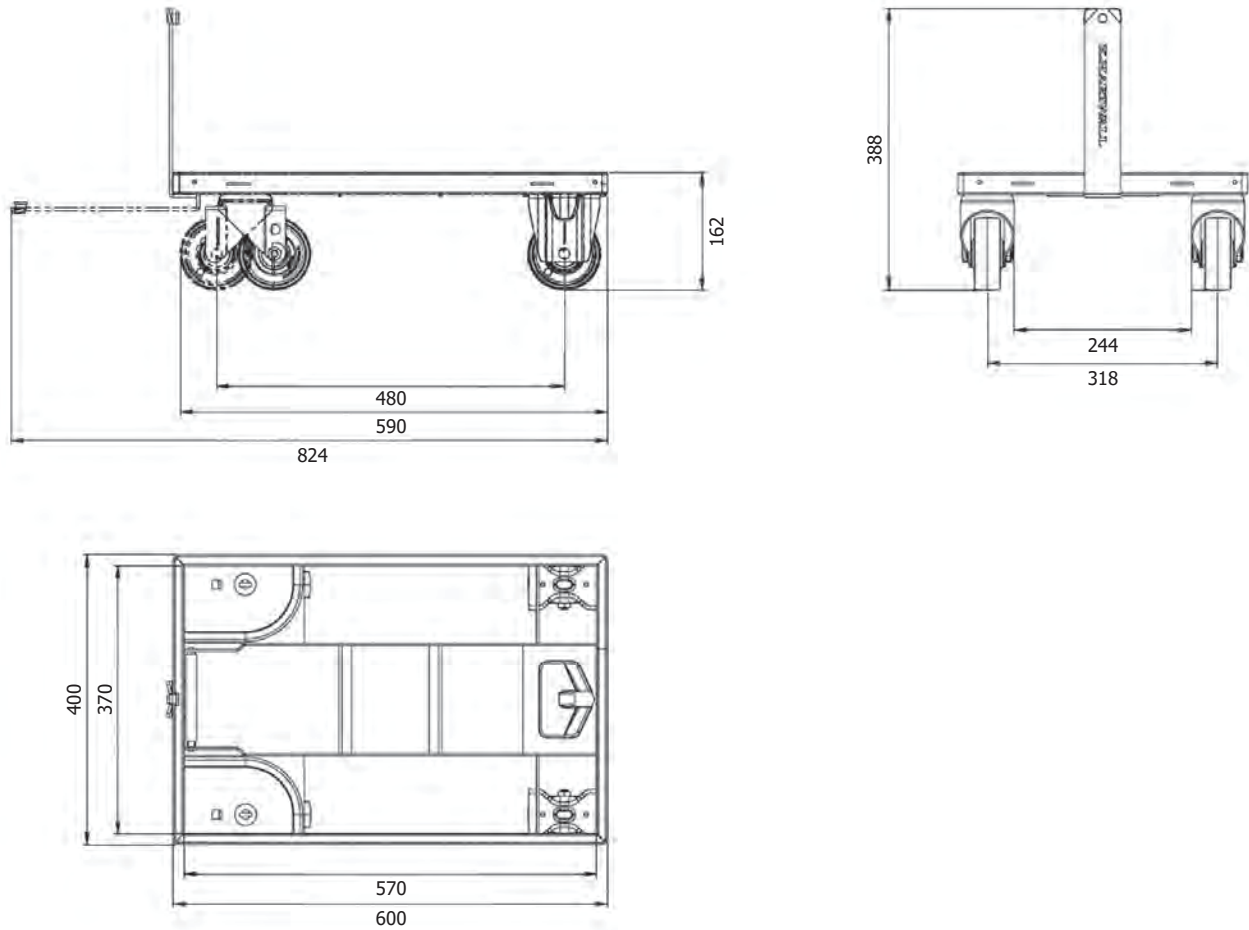


Figure with shaft

Dolly 400 x 600 mm	Item Number	Description	Swiveling / fixed wheels	Width mm (in)	Length mm (in)	
	MAT-BORO-1	Dolly without shaft	2 / 2 (Plastic)	400	600	
	MAT-BORO-2	Dolly without shaft	4 / - (Plastic)	400	600	
	MAT-BORO-7B	Dolly with shaft	2 / 2 (Plastic)	400	600	
	MAT-BORO-7B/Combi	Dolly with shaft	2 / 2 (Fixed wheels rubber)	400	600	
	DOS1692	Dolly with shaft	2 / 2 (Rubber)	385 (15")	60.96 (24")	
	MAT-BORO-ZB001	oilsump			400	600
Produced by K.HARTWALL						

Dolly 400 x 600 mm

Material Transport

Dolly

800 x 600 mm



RFID tag
integrated



ESD version
available



ISO size available

MAT-BORO-800D-2
3 swiveling- (plastic) and 2 fixed wheels (plastic) towing device



Specifications

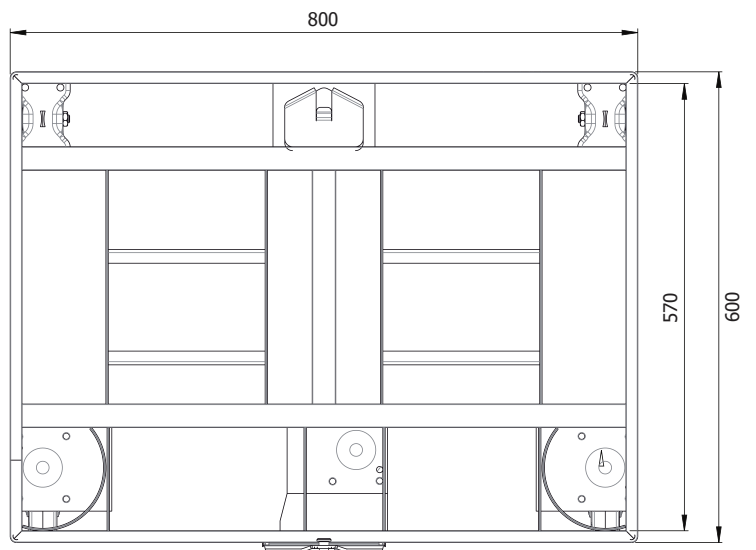
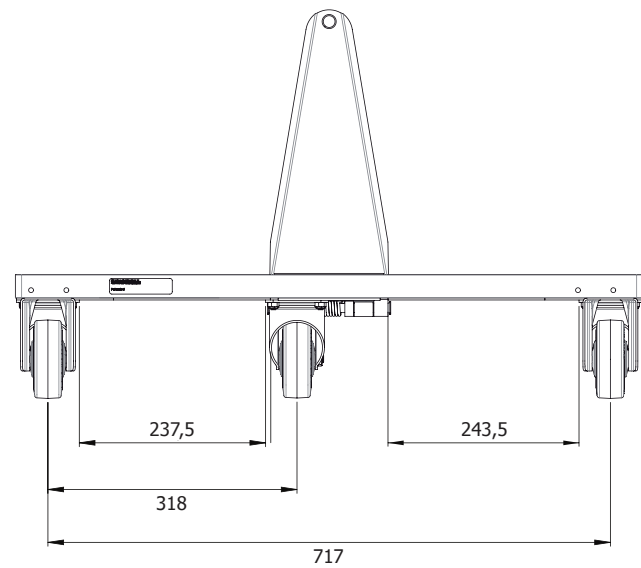
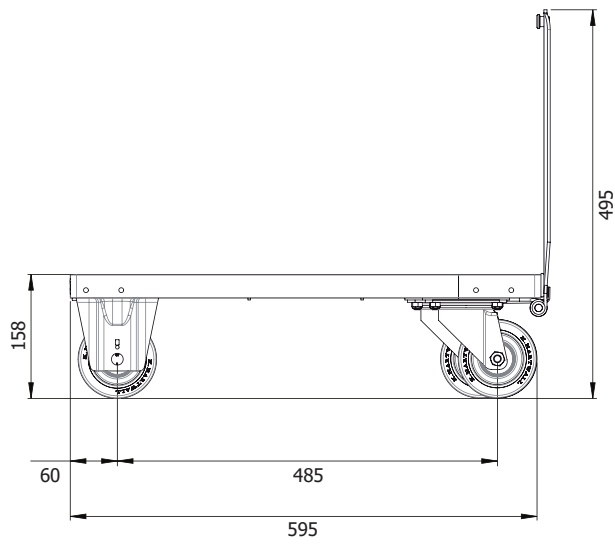
- material: steel
- weight: 12 KG
- max. load: 500 KG
- caster wheel diameter: 100 mm
- compatible with containers in Euro standard
- route train compatible
(towing device depending on design)
- high directional stability
- stackable
- wheels for various uses
- ESD Version upon request
- in accordance with DIN ISO 9001 / 14001
- suitable for transport on adapter pallet
- with blister edge for smooth container bases




Accessories



- drip-tight oilsump
- premium coated plywood deck

Dolly 800 x 600 mm



Dolly 800 x 600 mm	Item Number	Description	Swiveling / fixed wheels	Width mm (in)	Length mm (in)	
	MAT-BORO-800D-2	Dolly with shaft	3 / 2 (Plastic)	800	600	
	DOS1915	Dolly with shaft	3 / 2 (Rubber)	57.15 (22.5")	60.96 (24")	
	MAT-BORO-ZB002	oilsump		800	600	
	MAT-BORO-ZB003	plywood deck		800	600	
Produced by K.HARTWALL						

Dolly 800 x 600 mm

Material Transport

Dolly for pallets
800 x 1200 mm



ISO size available



Specifications

- polyurethane wheels 160 mm
- swivel casters with brake
- max. unit load 1000 KG
- load straps with ratchets to secure load (optional)
- hot dip galvanized
- 3 side loading
- route train compatible
(towing device depending on design)



Anti-slip surface
(optional plywood-deck)

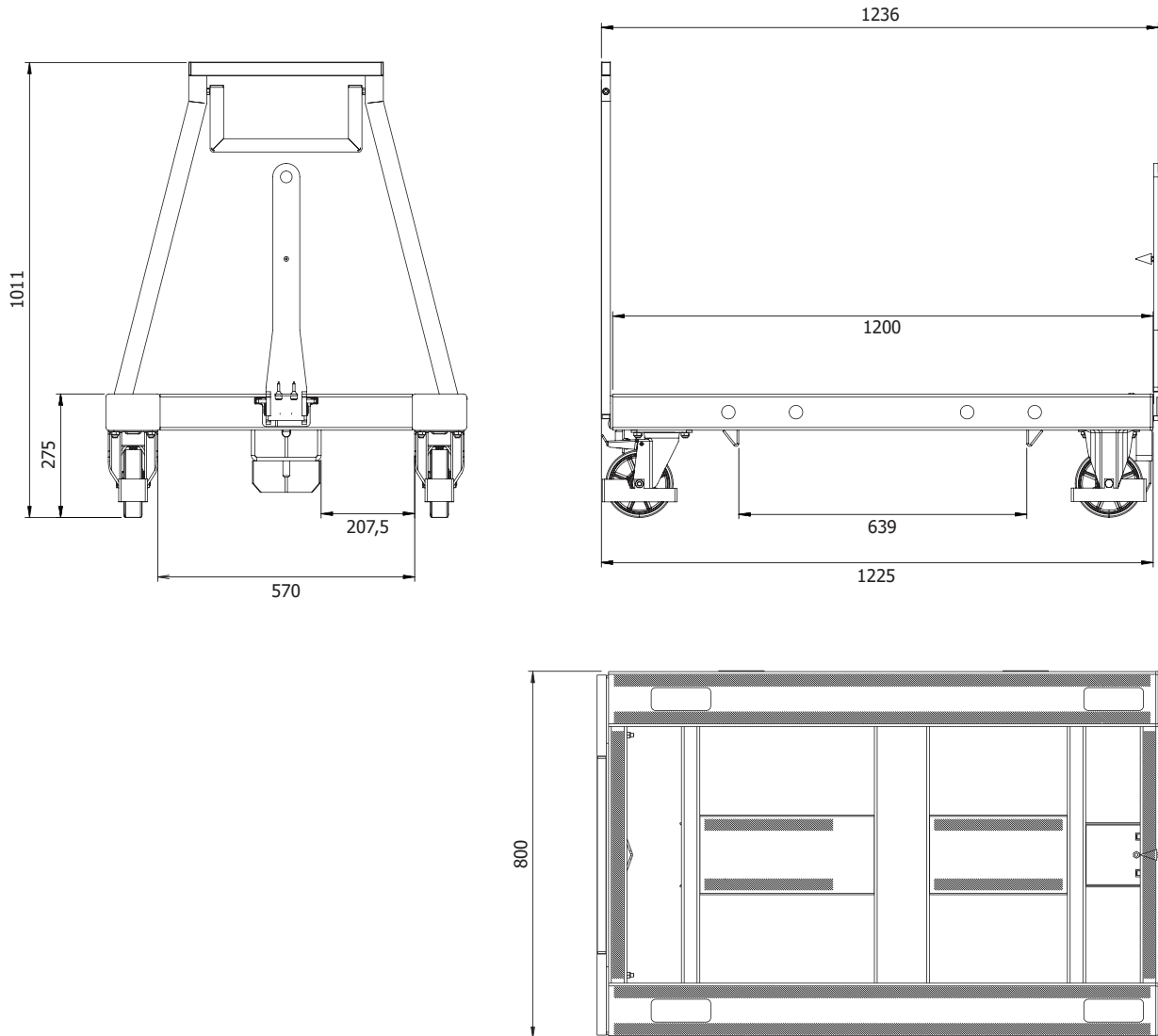




Tow bar stows away
when not in use.



Hooking system
(optional/retrofit)

Dolly for pallets 800 x 1200 mm



Dolly for pallets 800 x 1200 mm	Item Number	Description	Swiveling / fixed wheels	Width mm (in)	Length mm (in)
	MAT-BORO-1200x800	Dolly - open Version/anti-slip surface	2 / 2 (Polyurethane)	800	1200
	MAT-BORO-1200x800-1	Dolly - plywood deck	2 / 2 (Polyurethane)	800	1200
	MAT-BORO-1200x800V	Dolly - open Version/load straps	2 / 2 (Polyurethane)	800	1200
	MAT-BORO-1200x800V1	Dolly - plywood deck & load straps	2 / 2 (Polyurethane)	800	1200
	HPSD10019	Dolly	2 / 2 (Polyurethane)	76.2 (30")	81.28 (32")
	HPSD14845	Dolly	2 / 2 (Polyurethane)	114.3 (45")	121.92 (48")
	Item Number	Description			
	MAT-BORO-12X8ZB001	2 load straps (retrofit/accessories)			
Produced by K.HARTWALL					

Dolly for pallets 800 x 1200 mm

Material Transport

Shelfwagon



ISO size available



Specifications

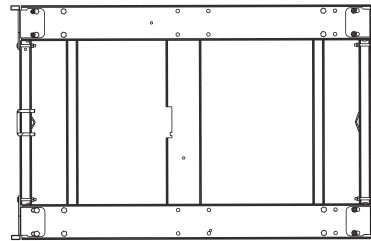
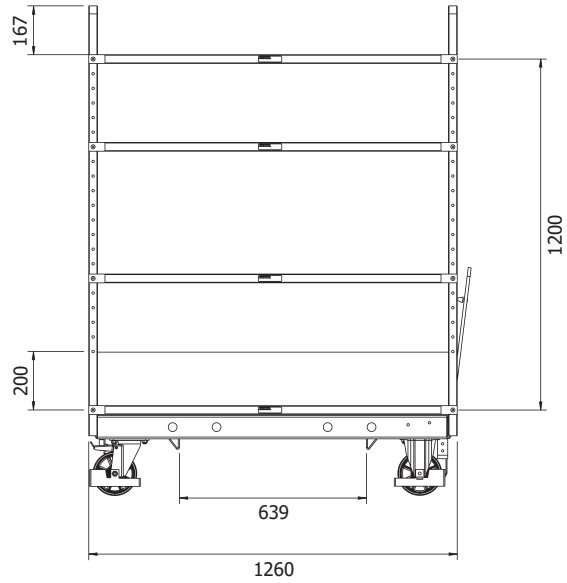
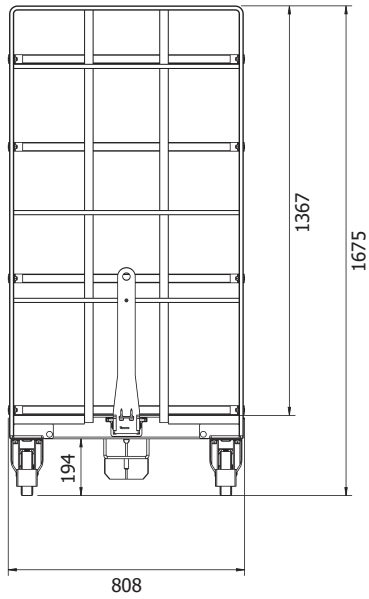
- max. shelf load 150 kg/330 lbs
- max. unit load 450 kg/990 lbs
- shelf height adjustable (steps of 50 mm)
- carries 4x KLT 400 x 600 mm (each shelf)
- premium coated plywood deck
- 2 fixed and 2 swivel casters (with brakes)
- 160 mm polyurethane casters
- internal dimensions 1200 x 800 x 1367 mm
- external dimensions 1260 x 808 x 1675 mm




Tow bar stows away when not in use.



Shelves height adjustable



Shelfwagon	Item Number	Description	Swiveling / fixed wheels	Width mm	Length mm	
	MAT-RW12X8-001	Shelfwagon	2 / 2 (Polyurethane)	808	1260	
Produced by K.HARTWALL						

Material Transport

In-house transportation

Taxiwagon



Safe and economical handling of loaded dollys.



Easy load/unload from both sides.



Easy lock/unlock system

Shaft



Individual combinations, both flexible and economical.



Tow-bar for all tugger-systems available.

Material Transport
External logistics

Adapter pallet



Easy lock/unlock mechanism with red and green foot pedal.

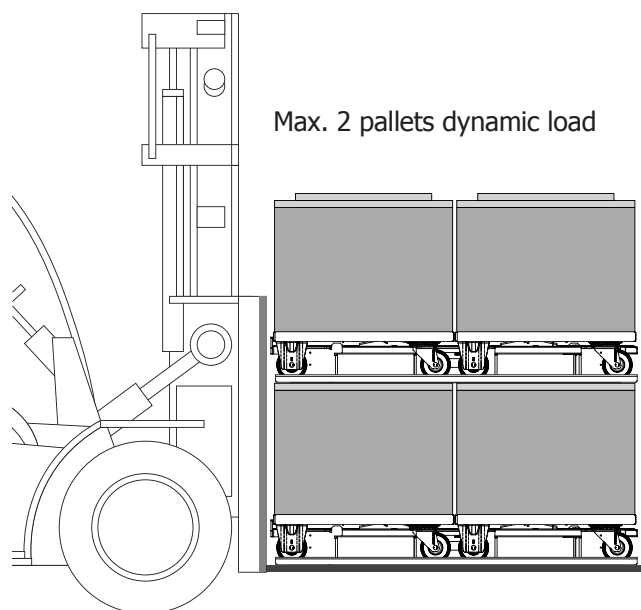


VDA lid for additional protection.

Adapter pallet to use for:
 6 dollys 400 x 400 mm,
 4 dollys 600 x 400 mm,
 2 dollys 600 x 800 mm
 2 dollys 600 x 400 mm plus 1 dolly 600 x 800 mm



Additional safety straps.



Max. 3 pallets static load

Material Transport

Adapter pallet for Dollies



RFID tag
integrated



ISO size available



inch sizes available!



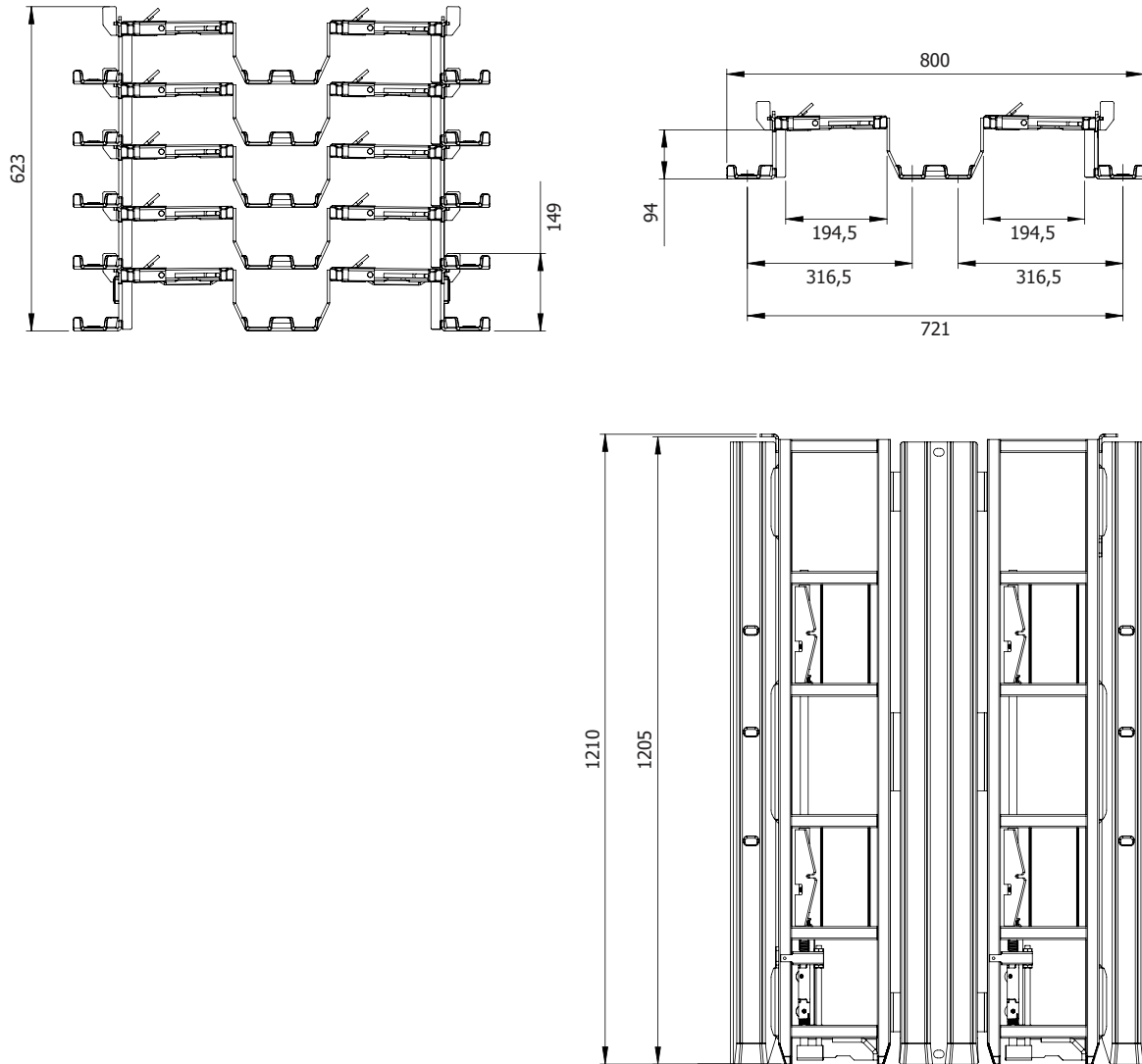
Adapter pallet for:



- 6 Dollies at 400 x 400 mm
- 4 Dollies at 400 x 600 mm
- 2 Dollies at 800 x 600 mm
- 2 Dollies at 400 x 600 mm and
1 Dollies at 800 x 600 mm

Specifications

- material: steel
- weight: 39 KG
- max. load: 1000 KG
- electro zinc plated
- optimal use of transport and floor space
- can be used to store goods on pallet racking
- stackable loaded or unloaded





Adapter pallet	Item Number	Description	Width (mm)	Length (mm)	
	MAT-ADAP-4	Adapter pallet	800	1200	
	MAT-ADAP-ZB001	load strap			
Produced by K.HARTWALL					

Material Transport

Taxiwagon

Movement direction



Description	Specification
Item Number	MAT-TAXI002
To be transported	3 x 400 x 600 or 1 x 800 x 600 + 1 x 400 x 600
Max. speed	6 km/h
Steering	2 wheel steering
Turning circle	Ø 4043 mm
Length	2341 mm
Width	726 mm
Height	1426 mm
Loading	both sides
Unit tare weight	175 kg
max. load capacity	750 kg



Various steering systems available.



Self locking system



Easy positioning



Easy load of dollies

Material Transport

Taxiwagon



Specifications

- used for long distance in-house transportation
- loading/unloading from both sides
- max. unit load 750 KG/1650 lbs
- low entry height
- easy locking mechanism

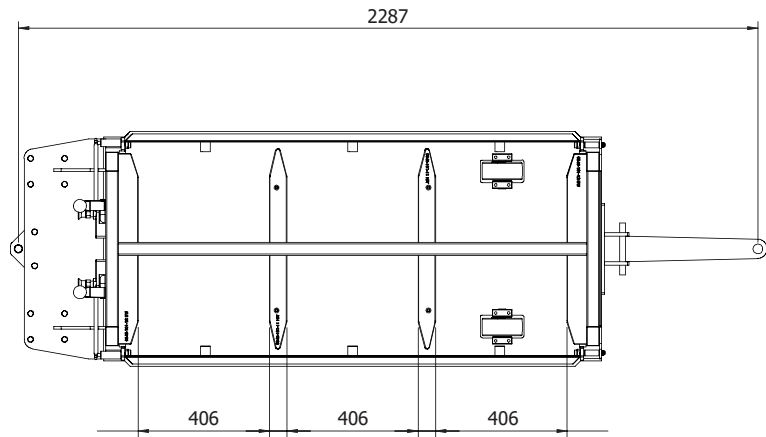
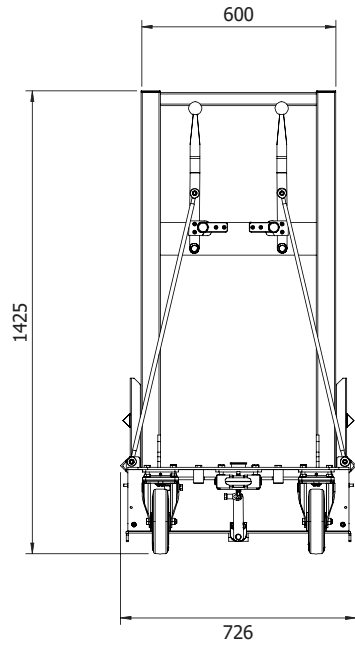
Features




Always safe guidance



Flat loading edge on both sides



Taxiwagon	Item Number	Description	Swiveling / fixed wheels	Width (mm)	Length (mm)	
	MAT-TAXI002	Taxiwagon	2 / 2	726	2287	

Taxiwagon

Material Transport

Tow bar

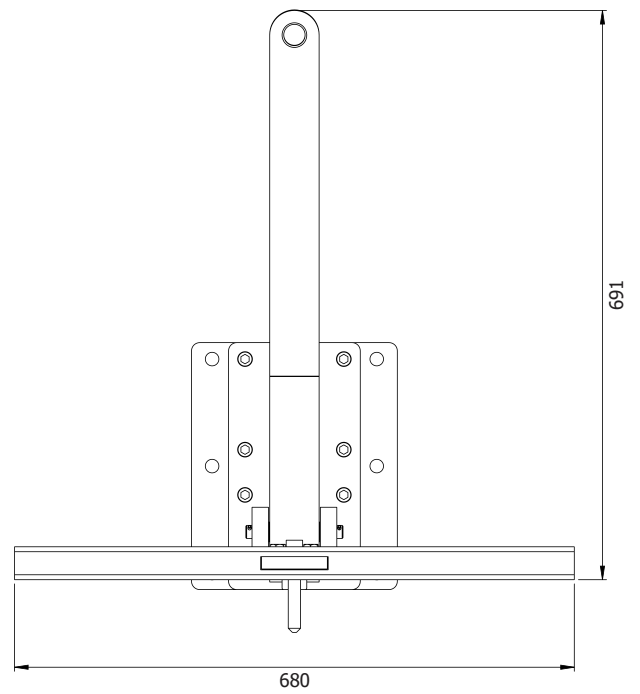
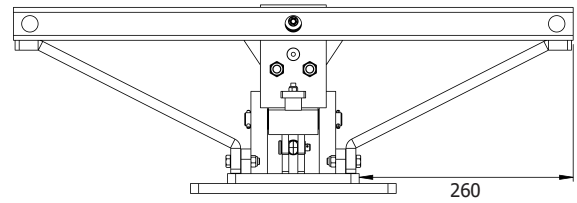
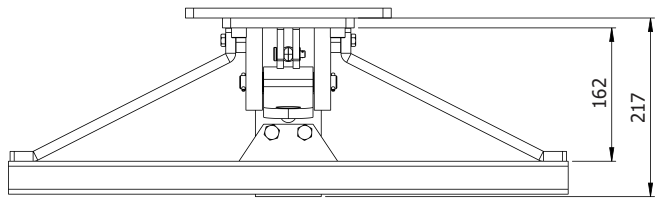
Various steering systems available




Specifications

- max. train load 6 t (tow bar), 2 t (pin)
- welded robust steel frame
- ergonomic design
- easy foot-operated
- high-grade pneumatic spring
- usable for multiple tuggers
- can tow all K. Hartwall pallet carts





tow bar	Item Number	Description	
	MAT-SD	Tow bar	
Produced by K.HARTWALL			

Tow bar

Material Transport

Handle bar

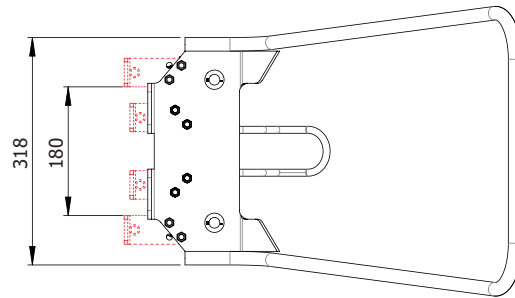
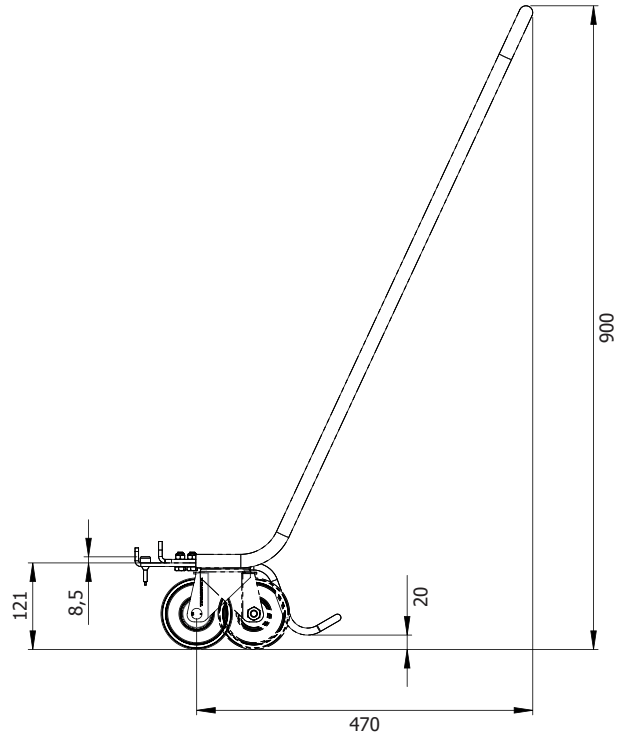
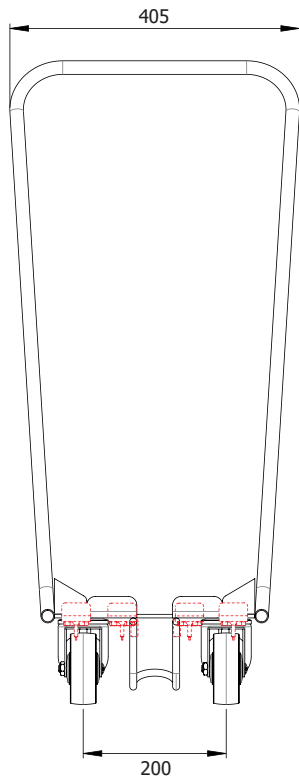



Specifications

The push holder for ergonomic use for empty dollies or load with low height.

Usable for all K-hartwall Dollies.





handle bar	Item Number	Description	
	MAT-STANGE	Handle bar	
Produced by K.HARTWALL			

Material Flow

Dolly – FiFo



Material flow

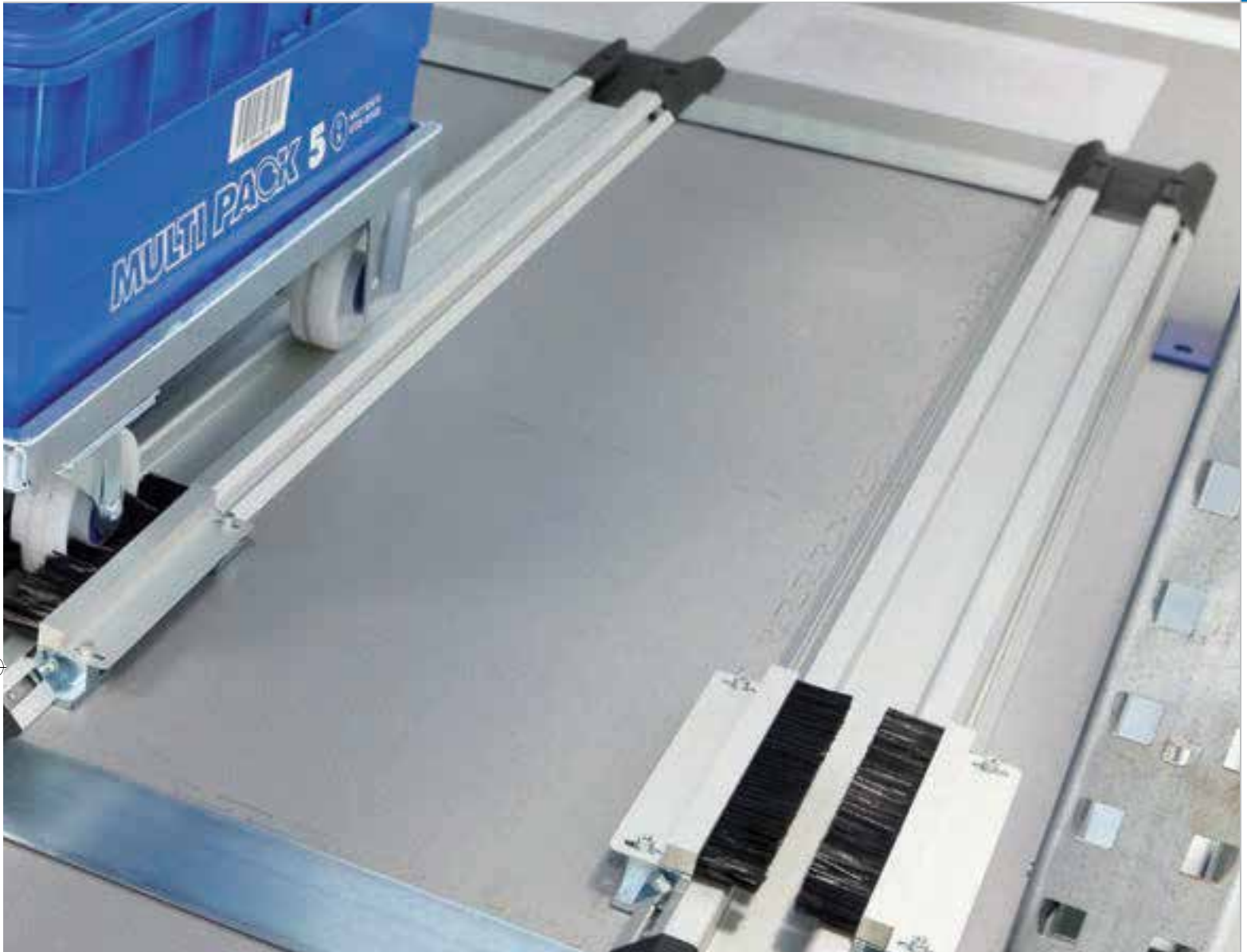
Dolly – FiFo

The right material - at the right time in the right quantities at the right place.

The wide range of products these days requires a secure material supply. Material provision and material call of according the the first it first out principle is the key to a secure and smooth production.

Advantages of a rolling material supply:

- reduction of stock
- more efficiency
- less space required
- minimization of handling



Material Flow

FiFo-Monorail 40 mm and 55 mm

FiFo-Monorail 40 mm
For wheels widths **up to 40 mm**



FiFo-Monorail 55 mm
For wheels widths **up to 55 mm**



End Cap 40 mm



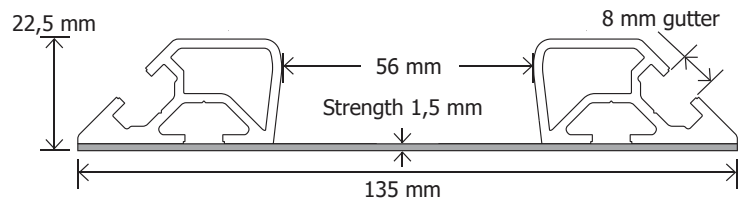
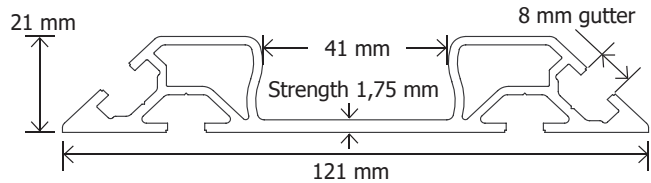
173 mm

End Cap 55 mm



173 mm

FiFo-Monorail





FiFo-Monorail 55 mm



We developed the FiFo-Monorail 55 mm as a supplement to our FiFo-Monorail 40 mm.



For security reasons, we recommend the use of **ORGATEX®** Monorail Brakes in order to prevent the Dollies from moving out of the Monorail FiFo Station.

Material Flow

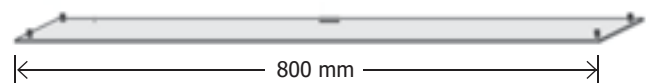
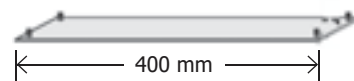
FiFo-Monorail 40 mm - 5S



FiFo-Monorail 40 mm – 5S

Rail system for wheel widths up to 40 mm.

- unambiguous allocation of material
- easy insertion of Dollies
- quick assembly
- expandable in length and width
- different Dolly widths can be combined



For security reasons, we recommend the use of **ORGATEX®** Monorail Brakes in order to prevent the Dollies from moving out of the Monorail FiFo Station.



FiFo-Monorail Station	Item Number	Description	Track Width	Units / pack		
	MONO-5S-1200	FiFo-Monorail Station 1200 mm	400 mm	1		
	MONO-5S-1800	FiFo-Monorail Station 1800 mm	400 mm	1		
	MONO-5S-2400	FiFo-Monorail Station 2400 mm	400 mm	1		
	MONO-5SVB8-1200	FiFo-Monorail Station 1200 mm	800 mm	1		
	MONO-5SVB8-1800	FiFo-Monorail Station 1800 mm	800 mm	1		
	MONO-5SVB8-2400	FiFo-Monorail Station 2400 mm	800 mm	1		
	Consisting of: <ul style="list-style-type: none"> - 5 FiFo-Monorail rails - 10 FiFo-Monorail end caps - 20 anchor screws - 8 FiFo-Monorail connecting panel - 32 sleeve nuts 					

Material Flow

FiFo-Monorail signs 5S





FiFo-Monorail signs 5S

A standardized labeling improve material provision helps you on your way to a error-free production.



For security reasons, we recommend the use of **ORGATEX®** Monorail Brakes in order to prevent the Dollies from moving out of the Monorail FiFo Station.



FiFo-Monorail signs 5S	Item Number	Description	Units / pack	
	MONO-SB5S	Rail system for 400 mm track width	1	
	MONO-SB5SVB8	Rail system for 800 mm track width	1	
Description	Item Number (+ Color Code)	Color Code	Units / pack	
				
Hanging Sign DIN A4	PKR-A4-100-	01 02 03 04 05 06 08 88	5	
<p>- hanging signs optional - clear passage height 1830 mm</p>				

Material Flow

FiFo-Monorail Brake



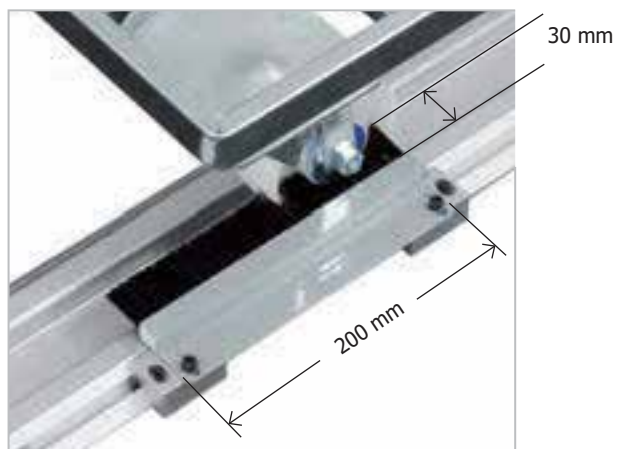
Dolly is prevented from rolling out of the rail due to brake.

FiFo-Monorail Brake

Due to the brake's resistance Dollies are kept from rolling out.

- no unlocking process required before taking a Dolly out of the rail
- minimum wear
- no unlocking before removal
- subsequent installation possible
- adjustable braking effect
- suitable for Monorail 40 mm and 55 mm





Particularly with heavy loads we recommend the installation of a braking system on both sides. Elongated holes allow for adjustable braking effect.





For security reasons, we recommend the use of **ORGATEX®** Monorail Brakes in order to prevent the Dollies from moving out of the Monorail FiFo Station.



Material Flow

FiFo-Monorail 40 mm and 55 mm

FiFo-Monorail 40 mm

FiFo-Monorail End Caps 40 mm	Description	Units / pack	Item Number
	FiFo-Monorail End Caps 40 mm	1	MONO-EK
	Unit = 10 pieces		
FiFo-Monorail Rails 40 mm	Description	Units / pack	Item Number
	FiFo-Monorail Rails 40 x 1200 mm	1	MONO-BP-1200
	FiFo-Monorail Rails 40 x 1800 mm	1	MONO-BP-1800
	FiFo-Monorail Rails 40 x 2400 mm	1	MONO-BP-2400
	Unit = 5 pieces		

FiFo-Monorail 55 mm

FiFo-Monorail End Caps 55 mm	Description	Units / pack	Item Number
	FiFo-Monorail End Caps 55 mm	1	MONO-BP-55-EK
	Unit = 10 pieces		
FiFo-Monorail Rails 55 mm	Description	Units / pack	Item Number
	FiFo-Monorail Rails 55 x 1200 mm	1	MONO-BP-55-1200
	FiFo-Monorail Rails 55 x 1800 mm	1	MONO-BP-55-1800
	FiFo-Monorail Rails 55 x 2400 mm	1	MONO-BP-55-2400
	Unit = 5 pieces		

Material Flow

FiFo-Monorail 40 mm and 55 mm

FiFo-Monorail Shock Protection	Description	Units/Pack	Item Number	
	FiFo-Monorail Collision Bumpers	1 pair	MONO-EK-AS	
	1 pair = left and right protections (incl. 2 hammerhead bolts, 2 screws)			
FiFo-Monorail Floor Anchoring Plate	Description	Units/Pack	Item Number	
	FiFo-Monorail Floor Anchoring Plate	2	MONO-HB	
	- floor fixing			
FiFo-Monorail Connecting Panel	Description	Units/Pack	Item Number	
	FiFo-Monorail Connecting Panel	1	MONO-VB-2	
	FiFo-Monorail Connecting Panel	1	MONO-VB-800	
	FiFo-Monorail Connecting Panel	1	MONO-VB-W45	
	- additional fixation for rails of different length		1 Pack = 2 pieces incl. headless screws	
FiFo-Monorail Connecting Bracket	Description	Units/Pack	Item Number	
	FiFo-Monorail Connecting Bracket	1	MONO-SV-100	
	1 Pack = 10 pieces incl. 40 headless screws			
FiFo-Monorail profile groove	Description	Units/Pack	Item Number (+ Color Code)	Color Code
	FiFo-Monorail profile groove 2000 mm	1	MONO-NA-2000-	04 06 88
	1 Pack = 10 pieces each 2000 mm			
FiFo-Monorail Brake	Description	Units/Pack	Item Number	
	FiFo-Monorail Brake	1	MONO-BBR-200	

Material Flow

FiFo-Station

flexible rail system for any wheel diameter



FiFo-Station

Due to its flexibility the system is suitable for almost every wheel-guided material carrier.

- suitable for all wheel diameters and track widths
- easy to install
- highly visible yellow rails for safety



Large end caps allow for the integration of an aluminium profile into floor rails



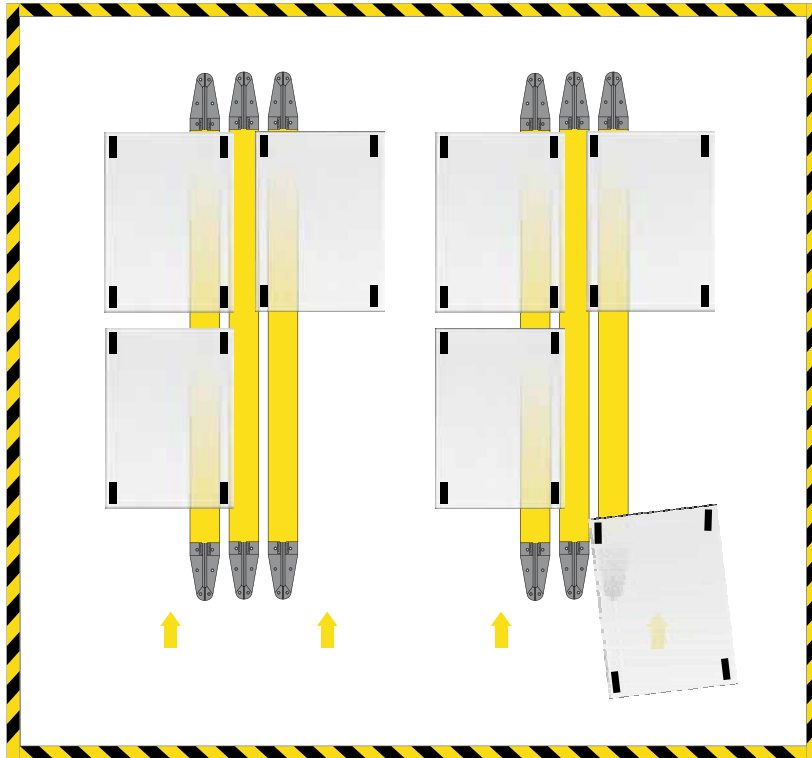
Individual applications, e.g. housings or information provision, can be implemented easily via integration of aluminium profiles in the guide rail. Height clearance of valid number of containers can be regulated by the installation of gates.

Contact your **ORGATEX®** representative for a solution customized to meet your unique requirements.

Material Flow

FiFo-Station

Assembly example floor profile with end caps left/right



Example 1



Suitable for Dollies with **rubber wheels**



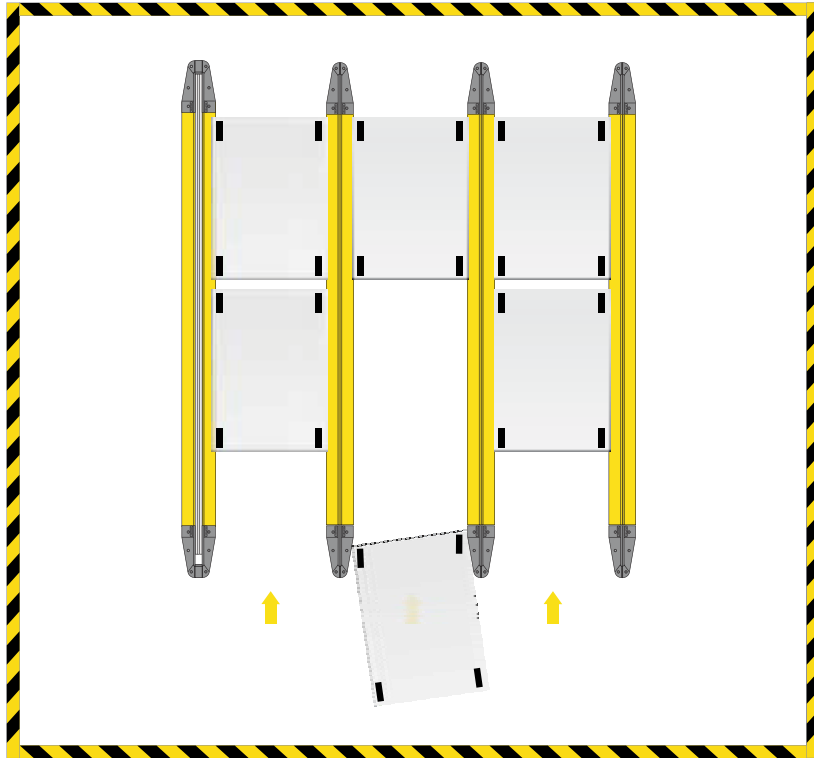
Dollies are guided on one side



Material Flow

FiFo-Station

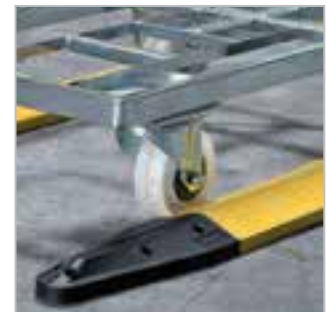
Assembly example with big End Caps



Practice Example 2
Suitable for 30 x 30 mm aluminium profile



Suitable for Dollies
 with **plastic** wheels



Dollies are guided at the
 outer side of the wheels



If you are using the 45 x 30 mm profiles please refer to our accessoires for suitable products.

Material Flow

FiFo-Station

Lightweight material

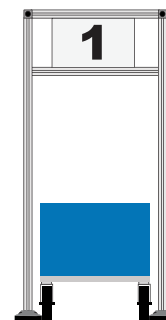
Heavy material
on dollies





FiFo-Station

Shelf systems can be easily integrated into the structure of the FiFo Modular System by means of a Modular Profile System. Thus, numerous possibilities for combining the FiFo Station and shelf systems can be realized.

- provision of lightweight material within the shelf system
- provision of heavyweight material on Dollies

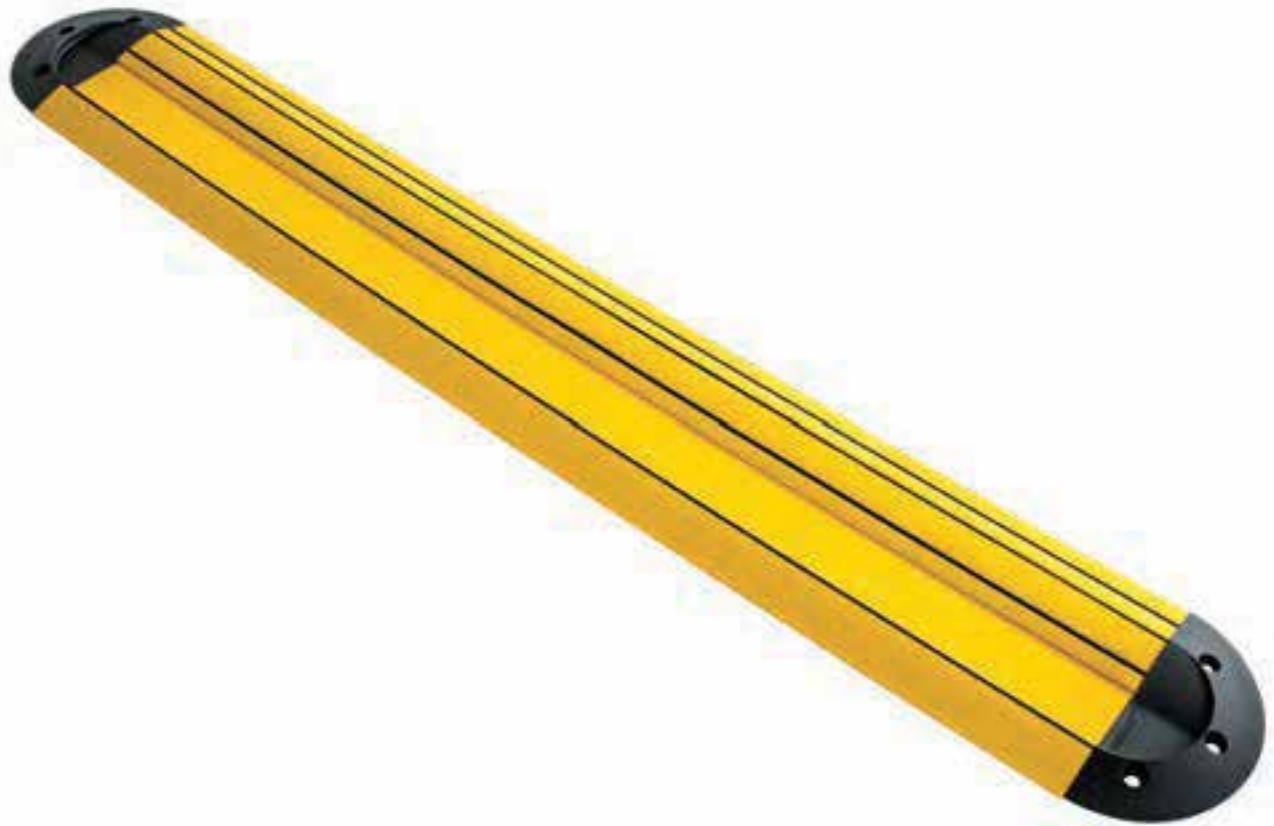


By using the double end caps you can integrate an aluminium profile into the rails in order to fix up a housing, live storage shelvings, hand rails etc.

Left and right single end cap	Description	Item Number	Dimensions in mm L x W
	End cap left, self-adhesive	FIFO-EK-2L	225 x 50
	End cap right, self-adhesive	FIFO-EK-2R	225 x 50
	Screw and adapters for FiFo Station mounting	FIFO-SCHR-K	Units per Package = 20 pieces
	- helps to guide the dolly - 3 holes for anchoring		
Double end cap	Description	Item Number	Dimensions in mm L x W
	Double end cap, self-adhesive	FIFO-EK-1	225 x 130
	Screw and Adapters for FiFo Station fixing	FIFO-SCHR-K	Units per Package = 20 pieces
	- helps to guide the dolly and allows the use of a aluminium profile (30 x 30) - 6 holes for anchoring		
FiFo Rail	Description	Item Number	Dimensions in mm L x W
	FiFo Rail	FIFO-BP-1200	1200 x 50
	FiFo Rail	FIFO-BP-1800	1800 x 50
	FiFo Rail	FIFO-BP-2400	2400 x 50
	FiFo Rail	FIFO-BP-3000	3000 x 50
FiFo Rail Adapter	Description	Item Number	Length in mm
	FiFo Rail Adapter	FIFO-Adapter	250
	- allows the assembly of two half rails		Units per Package = 5 pieces
End Caps left and right	Description	Item Number	Dimensions in mm L x W x H
	left end cap	FIFO-PAK-L	45 x 50 x 30
	right end cap	FIFO-PAK-R	45 x 50 x 30
	Screw Set for End Caps and Adapters	FIFO-SCHR-K	Units per Package = 20 pieces
Rail Connector	Description	Item Number	Dimensions in mm L x W x H
	Rail Connector	FIFO-PV	45 x 50 x 30
	Screw Set for End Caps and Adapters	FIFO-SCHR-K	Units per Package = 20 pieces
	- for additional fixing of long rails		
End Cap Connector	Description	Item Number	Dimensions in mm L x W x H
	End Cap Connector	FIFO-EKV	45 x 50 x 30
	Screw Set for End Caps and Adapters	FIFO-SCHR-K	Units per Package = 20 pieces
	- simple connecting of two rails to support 45 x 30 mm profiles		

Material Flow

Parking Slot



Parking Slot



Rolling material transport carts and dollies should be sorted, organized and securely parked in your production and logistics area. The newly designed Parking Slot profile provides a simple and easy method for this application. Simply cut the highly visible profile to length, position and adhere the profile to your floor and secure the end caps.

- adjust automatically to the wheel diameter
- provides blocking of the rolling material
- ready to use with pre-applied adhesive
- easy cut-to-size for your application



The contact area of the parking slot adjusts itself automatically to the wheel diameter



Parking Slot	Item Number	Description	Width (mm)	Length (mm)
	PAB-KU-400	Parking Slot 400 mm	135	400
	PAB-KU-800	Parking Slot 800 mm	135	800
	PAB-KU-1200	Parking Slot 1200 mm	135	1200
	PAB-KU-2400	Parking Slot 2400 mm	135	2400
Minimum Order Quantity= 5 pieces per Length				
End Caps	Item Number	Description		
	PAB-KU-EK	End Caps for 2 components Parking Slot		
				Minimum Order Quantity= 5 pair
- self-adhesive				

Material Flow

Parking Slot

Extruded aluminium rails with hard plastic end-caps



Parking Slot with **LongLife** Floor Markings, optionally usable for signal effect.




Parking Slot

Available in 2 heights and different widths.

- self-adhesive
- precise provision of materials
- extremely robust
- easy to install
- unambiguous allocation
- dollies will not move while material is put in or taken out
- very flat (no tripping hazard when empty)

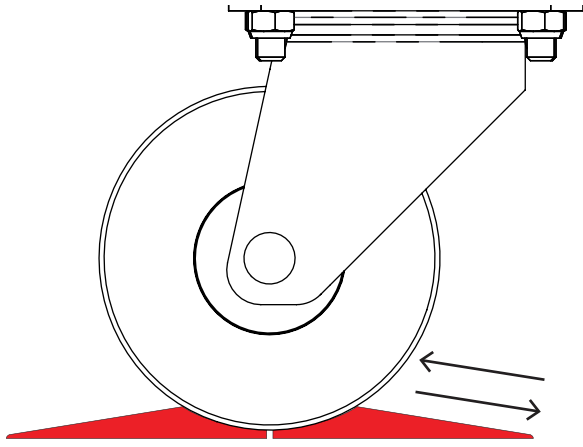




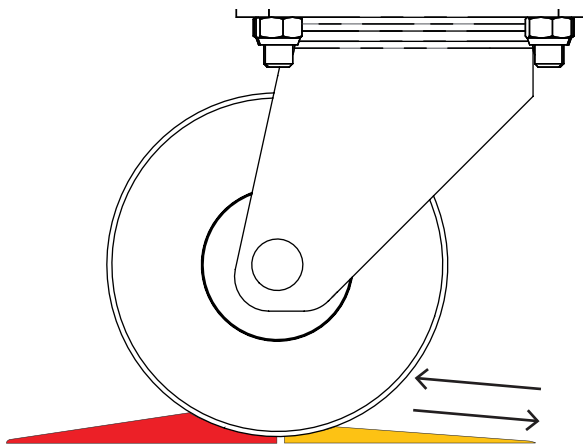
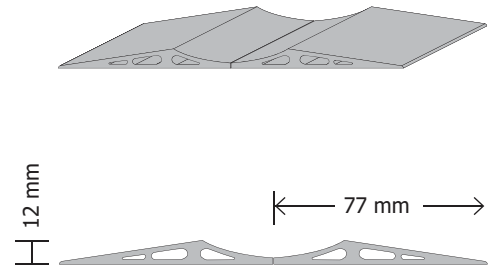
Floor Marking Tape LongLife	Width (mm)	Roll Length (m)	Item Number (+ Color Code)	Color Code
	50	50	LG50-	 01 02 03 04 05 06 07 08 88
	50	50	LG50-	 SG BW GW RW SW
<ul style="list-style-type: none"> - self-adhesive - delivery in self-dispensing carton - scratch-proof material - forklift Resistant 				

Material Flow

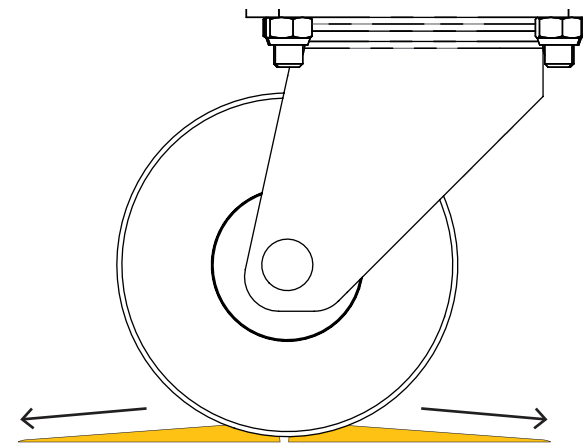
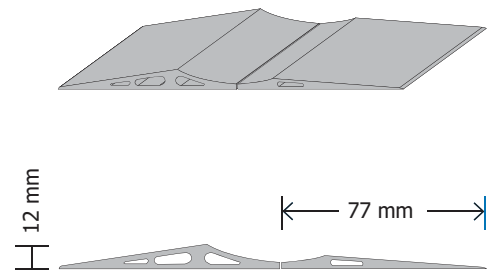
Parking Slot Combinations



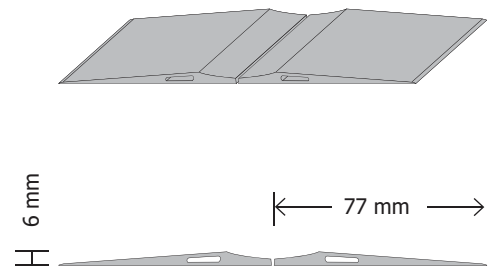
Combination high - high



Combination high - low



Combination low - low



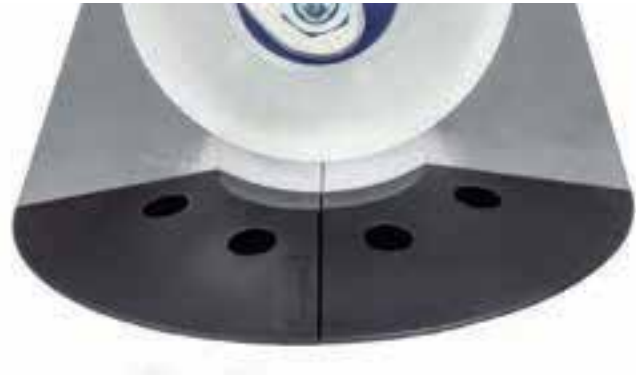
Material Flow

Parking Slot

Use of the Parking Slot with different wheel diameters

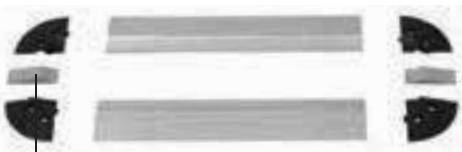
Wheel diameters up to 100 mm

Components



Wheel diameters over 100 mm

Components



Aluminium Spacer for Parking Slot






Parking Station





By using different intermediate pieces (adapter) the parking slot can be adjusted to the wheel diameters individually.

Material Flow

Parking Slot Combinations

Aluminium rails high - high	Description	Item Number	Length (mm)	
 <p>self-adhesive</p>	Parking slot rail Aluminium high - high	PAB-400	400 mm	
	Parking slot rail Aluminium high - high	PAB-800	800 mm	
	Parking slot rail Aluminium high - high	PAB-1200	1200 mm	
	Parking slot rail Aluminium high - high	PAB-2400	2400 mm	
	- Parking slot rail for dollies with wheels with a diameter <u>up to 100 mm</u>			Units per Package = 2 pieces
Aluminium rails high - low	Description	Item Number	Length	
 <p>self-adhesive</p>	Parking slot rail Aluminium high - low	PAB-FH-400	400 mm	
	Parking slot rail Aluminium high - low	PAB-FH-800	800 mm	
	Parking slot rail Aluminium high - low	PAB-FH-1200	1200 mm	
	Parking slot rail Aluminium high - low	PAB-FH-2400	2400 mm	
	- Parking slot rail for dollies with wheels with a diameter <u>up to 100 mm</u> - 1 Pack includes 2 adaptors (1 left and 1 right)			Units per Package = 2 pieces
Aluminium rails low - low	Description	Item Number	Length	
 <p>self-adhesive</p>	Parking slot rail Aluminium low - low	PAB-F-400	400 mm	
	Parking slot rail Aluminium low - low	PAB-F-800	800 mm	
	Parking slot rail Aluminium low - low	PAB-F-1200	1200 mm	
	Parking slot rail Aluminium low - low	PAB-F-2400	2400 mm	
	- Parking slot rail for dollies with wheels with a diameter <u>up to 100 mm</u> - 4 adaptors included in delivery scope (2 right, 2 left)			Units per Package = 2 pieces

Parking Slot End Caps	Description	Item Number		
 <p>self-adhesive</p>	Parking Slot End Caps, self-adhesive	PAB-EK1		
	- with 2 holes for mounting - hammer drive anchors can be used to anchor end caps			Units per Package = 4 pieces
Aluminium Adapter	Description	Item Number	Wheel diameter	Width (mm)
	Aluminium Adapter	PAB-ZW2	101 - 150 mm	20 mm
	Aluminium Adapter	PAB-ZW3	150 - 180 mm	30 mm
	Aluminium Adapter	PAB-ZW4	more than 180 mm	40 mm
	- for dollies with more than <u>100 mm</u> wheel diameter			Units per Package = 2 pieces



Parking Slot

Material Flow

KLT-Lifter



Quick and easy adjustment of sensor to set upper or lower stop positions



Rugged construction for safe and secure handling for placement and commissioning



User-friendly interface for set-up, configuration and operation via movable control pendant.



Heavy-duty casters provide easy relocation of the lifter providing the user maximum flexibility in use.





All electric actuation provides for easy installation and commissioning. Simply set-up, plug into 110V/60 supply



Aluminum profile frame provides maintenance-free exterior and easy attachments of accessories with t-slot mounting or physical connection to adjacent conveyors or machine frames



Modular design allows user to easily reconfigure the Lifter Module



Support plates include integral adjustable feet for proper leveling and alignment of the unit



Material Flow

KLT-Lifter



KLT-Lifter
Front loading



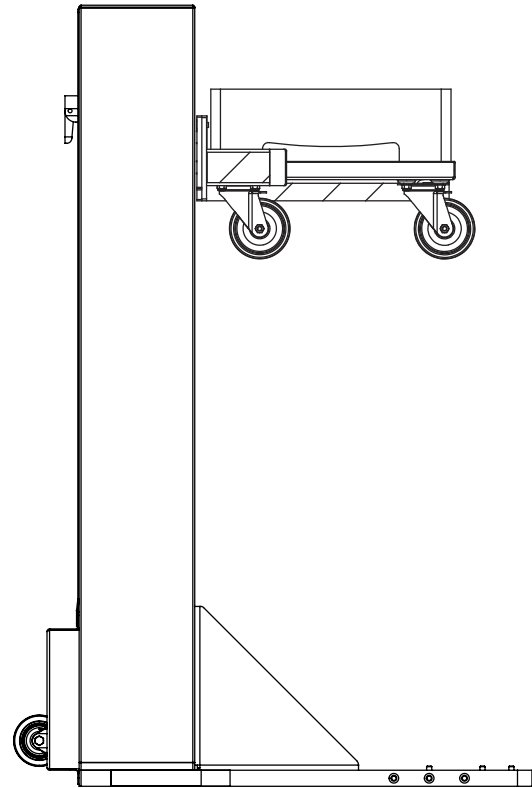
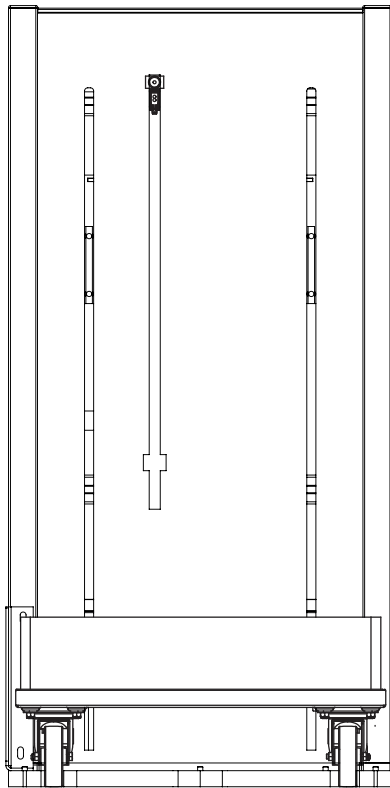
KLT-Lifter
Lateral loading


KLT-Lifter

The electrically driven lifting device provides ergonomic positioning of working material.

- electric gearmotor with brake
- powder coated or galvanized steel surfaces
- magnetic mounted control panel with emergency stop switch
- light sensor infinitely adjustable to work height
- electroconductive
- CE-label





KLT-Lifter	Technical data (model)	2000	2300	14200	14230
	Dimensions (excluding fork) w x h x d (mm)	600 x 1216 x 290	600 x 1516 x 290	600 x 1216 x 290	600 x 1516 x 290
	Lift height (mm)	95 - 1000	95 - 1300	95 - 1000	95 - 1300
	max. load (N)	2000 N	2000 N	2000 N	2000 N
	Supply	230 V / 50 Hz, 16 A	230 V / 50 Hz, 16 A	110 VAC / 60 Hz, 16 A	110 VAC / 60 Hz, 16 A
	Type of protection	IP 54 IEC 529	IP 54 IEC 529	IP 54 IEC 529	IP 54 IEC 529
	ESD-version	yes	yes	yes	yes
	Item number	KLT-LIFT-2000	KLT-LIFT-2300	14200.US	14230.US

Item Number Index

14200.US	267	HE550-100/XX	66	K235-20-G	165	KAN-COMA6	31
14230.US	267	HE550-150	62	K235-30-G	165	KAN-COMA7	31
2SDSK/1310-XX	20	HE550-150/XX	66	K235-90-G	165	KAN-COS1/4DIN	31
2SDSK/4110-XX	20	HE567-100	62	K236-20-G	165	KAN-COSA5	31
2SDSK/4210-XX	20	HE567-150	62	K236-40-G	165	KAN-COSA6	31
2SDSK/5110-XX	20	HE567-200	62	K236-60-G	165	KAN-COSA7	31
2SDSK/5210-XX	20	HEM360-100/XX	78	K237-20-G	165	KAN-COSW100-60	39
2SDSK/6110-XX	20	HEM360-150/XX	78	K237-30-G	165	KAN-COW1/4DIN	37
A		HEM360-200/XX	78	K2-BLM4	167	KAN-COWA5	37
ATP420	180	HEM360-300/XX	78	K511-G	165	KAN-COWA6	37
D		HEM360-600/XX	78	K512-30-G	165	KAN-COWA7	37
DOS1692	219	HEM380-100/XX	78	K513-30-G	165	KAN-COW-EC	37
DOS1915	221	HEM380-150/XX	78	K513-60-G	165	KAN-FLEX-GRIPPER	89
F		HEM380-200/XX	78	K513-90-G	165	KAN-GRIPPER	17
FIFO-ADAPTER	255	HEM380-300/XX	78	K514-15-G	165	KAN-LABEL1/3DIN/XX	45
FIFO-BP-XX	255	HEM380-600/XX	78	K514-20-G	165	KAN-LABELA5/XX	45
FIFO-EK-1	255	HES460-100/XX	78	K514-30-G	165	KAN-MW-A1Q-XX	199
FIFO-EK-2L	255	HES460-150/XX	78	K515-20-G	165	KAN-MW-A2H-XX	199
FIFO-EK-2R	255	HES460-200/XX	78	K515-30-G	165	KAN-MW-A2Q-XX	199
FIFO-EKV	255	HES460-300/XX	78	K515-90-G	165	KAN-MW-A3H-XX	199
FIFO-PAK-L	255	HES460-600/XX	78	K516-20-G	165	KAN-MW-A3Q-XX	199
FIFO-PAK-R	255	HES480-100/XX	78	K516-40-G	165	KAN-MW-A4H-XX	199
FIFO-PV	255	HES480-150/XX	78	K516-60-G	165	KAN-MW-A4Q-XX	199
FIFO-SCHR-K	255	HES480-200/XX	78	K517-20-G	165	KAN-MW-A5Q-XX	199
FLIP-MAG-XX	197	HES480-300/XX	78	K517-30-G	165	KAN-MWEX-A2Q	199
FLIP-MAG-8.5x11-	197	HES480-600/XX	78	K521-G	167	KAN-MWEX-A3Q	199
FLIP-MAG-11x17-	197	HPSD10019	223	K522-30-G	165	KAN-MWEX-A4H	199
FX-SK-XX	89	HPSD14845	223	K523-30-G	165	KAN-MWEX-A4Q	199
FX-SK-67-300	59	K		K523-60-G	165	KAN-MWH-A3Q-XX	203
FX-SK-A4-XX	89	K210-G	167	K523-90-G	165	KAN-MWH-A4H-XX	203
H		K212-30-G	165	K524-15-G	165	KAN-MWH-A4Q-XX	203
HE120-100	62	K213-30-G	165	K524-20-G	165	KAN-MWHEX-A3Q	203
HE120-150	62	K213-60-G	165	K524-30-G	165	KAN-MWHEX-A4H	203
HE120-75	62	K213-90-G	165	K525-20-G	165	KAN-MWHEX-A4Q	203
HE125-100	62	K214-20-G	165	K525-30-G	165	KAN-MWR-A3H-XX	201
HE125-150	62	K214-30-G	165	K525-90-G	165	KAN-MWR-A3Q-XX	201
HE125-75	62	K215-20-G	165	K526-20-G	165	KAN-MWREX-A3Q-XX	201
HE127-100	62	K215-30-G	165	K526-40-G	165	KAN-MWR-A4H-XX	201
HE127-150	62	K215-90-G	165	K526-60-G	165	KAN-MWR-A4Q-XX	201
HE127-75	62	K216-20-G	165	K527-20-G	165	KAN-MWREX-A4Q-XX	201
HE138-100	62	K216-40-G	165	K527-30-G	165	KAN-PS-04	41
HE138-150	62	K216-60-G	165	K531-G	165	KAN-PS-HE	41
HE138-75	62	K217-20-G	165	K532-30-G	165	KAN-U-GRIPPER	17
HE147-100	62	K217-30-G	165	K533-30-G	165	KE210-20	166
HE147-150	62	K220-G	167	K533-60-G	165	KE210-30	166
HE147-75	62	K222-30-G	165	K533-90-G	165	KE75-15	166
HE148-105	208	K223-30-G	165	K534-15-G	165	KE75-20	166
HE150-100	62	K223-60-G	165	K534-20-G	165	KE75-30	166
HE150-150	62	K223-90-G	165	K534-30-G	165	KL100-XX	45
HE167-100	62	K224-15-G	165	K535-20-G	165	KLT22-75	49
HE167-150	62	K224-20-G	165	K535-30-G	165	KLT26-75	49
HE167-200	62	K224-30-G	165	K535-90-G	165	KLT36-102	49
HE225-100/XX	66	K225-20-G	165	K536-20-G	165	KLT36-78	49
HE225-150/XX	66	K225-30-G	165	K536-40-G	165	KLT43-102	49
HE238-100/XX	66	K225-90-G	165	K536-60-G	165	KLT-LIFT-2000	267
HE238-150/XX	66	K226-20-G	165	K537-20-G	165	KLT-LIFT-2300	267
HE250-100/XX	66	K226-40-G	165	K537-30-G	165	KLT-SNAP/XX	43
HE250-150/XX	66	K226-60-G	165	K5-BLM6	167	KLT-SNAP-1/3DIN/XX	43
HE525-100/XX	66	K227-20-G	165	KAN-AMPEL250/XX	166	KLT-SNAP-DINA5/XX	43
HE525-150/XX	66	K227-30-G	165	KAN-AMPEL500/XX	166	KN-ALU-A0	141
HE527-150	62	K230-G	165	KAN-AMPEL75/XX	166	KN-ALU-A1	141
HE538-100/XX	66	K232-30-G	165	KAN-AMPEL85/XX	166	KN-ALU-A2	141
HE538-150/XX	66	K233-30-G	165	KAN-AMPELA5/XX	166	KN-ALU-A3	141
HE547-100	62	K233-60-G	165	KAN-AMPELA6/XX	166	KN-ALU-A4	141
HE547-150	62	K233-90-G	165	KAN-AMPELA7/XX	166	KN-ALU-A-US	141
HE547-75	62;208	K234-15-G	165	KAN-CLIP75	35	KN-ALU-B-US	141
HE550-100	62	K234-20-G	165	KAN-COM1/4DIN	31	KN-ALU-C-US	141
		K234-30-G	165	KAN-COMA5	31	KN-ALU-C+-US	141

KN-ALU-D-US	141	LG-KL-PFEIL-XX	109	MAT-BORO-12X8ZB001	223	MR60-25/XX	82
KN-ALU-E-US	141	LGMOD-L-XX	123	MAT-RW12X8-001	225	MR60-30/XX	82
KN-BK-35	173	LGMOD-ND-XX	121	MAT-SD	235	MR60-35/XX	82
KN-BK-35-ESD-06	173	LGMOD-SK-XX	121	MAT-STANGE	237	MR60-40/XX	82
KN-BK-A4-35	173	LGN-90-PP	115	MAT-TAXI002	233	MR60-50/XX	82
KN-BK-A5-35	173	LGR-90450-XX	103	MB710/XX	86	MR60-60/XX	82
KN-BK-A5Q-35	173	LGR-90-K-XX	103	MB715/XX	86	MR60-70/XX	83
KN-BKM-35	173	LGR-90-L-XX	103	MB720/XX	86	MR75-20/XX	82
KN-BKM-A4-35	173	LGR-90-P-XX	103	MB725/XX	86	MR75-25/XX	82
KN-BKM-A5-35	173	LGR-90-T-XX	103	MB730/XX	86	MR75-30/XX	82
KN-BKM-A5Q-35	173	LG-REMOVER	97	MB735/XX	86	MR75-35/XX	82
KNSERM115	177	LG-REMOVER/6	97	MB740/XX	86	MR75-40/XX	82
KNSERM116	177	LGRHD-90450-XX	119	MB750/XX	86	MR75-50/XX	82
KNTA-XX	47	LGRHD-90-L-XX	119	MB760/XX	86	MR75-60/XX	82
KNTA-HALTER	47	LGRHD-90-P-XX	119	MB770/XX	86	MR75-70/XX	83
KR2203-00-G	167	LGRHD-90-T-XX	119	MB775/XX	86	MU2230-XX	28
KR2203-50-G	167	LG-SCHILD-600-XX	113	MB780/XX	86	MU2231-XX	28
KRS129-G	169	LGSTP-XX	107	MB790/XX	86	MU2240-XX	28
KRS154-G	169	LPM110-35/XX	74	MB800/XX	86	MU2241-XX	28
KRS179-G	169	LPM110-50/XX	74	MONO-5S-XX	243	MU2250-XX	28
KRS204-G	169	LPM160-80/XX	74	MONO-5SVB8-XX	243	MU2251-XX	28
KRV2204	167	LPS110-35/XX	74	MONO-BBR-200	249	MU2260-XX	28
KS129-G	169	LPS110-50/XX	74	MONO-BP-XX	248	MUV230-XX	28
KS154-G	169	LPS160-80/XX	74	MONO-BP-55-XX	248	MUV231-XX	28
KS179-G	169	LPV160-80/XX	74	MONO-BP-55-EK	248	MUV240-XX	28
KS204-G	169	LTM110-35/XX	70	MONO-EK	248	MUV241-XX	28
KST1020	166	LTM110-50/XX	70	MONO-EK-AS	249	MUV250-XX	28
KST1220	166	LTM160-80/XX	70	MONO-HB	249	MUV251-XX	28
KTB3000	14	LTS110-35/XX	70	MONO-NA-2000-XX	249	MUV260-XX	28
L		LTS110-50/XX	70	MONO-SB5S	245	O	
LABC1/4-1	33	LTS160-80/XX	70	MONO-SB5SVB8	245	OT410	171
LABCOVA5-1	33	LTV160-80/XX	70	MONO-SV-100	249	OT410-US-WS	171
LABCOVA6-1	33	M		MONO-VB-2	249	OT411	171
LABCOVA7-1	33	MA1310-XX	24	MONO-VB-800	249	OT411-US-WS	171
LG100-XX	99	MA2000	15	MONO-VB-W45	249	OT412	171
LG-100500-XX	105	MA2020	16	MR100-20/XX	82	OT415	171
LG-100-Q-XX	105	MA2030	16	MR100-25/XX	82	OT415-US-WS	171
LG-100-W45-XX	101	MA2050	17	MR100-30/XX	82	OT416	171
LG-100-W90-XX	101	MA2060	17	MR100-35/XX	82	OT417	171
LG50-XX	99	MA2070	16	MR100-40/XX	82	OT417-US-WS	171
LG-50250-XX	105	MA2080	15	MR100-50/XX	82	OT418	171
LG-50-L-XX	105	MA2090	15	MR100-60/XX	82	OT418-US-WS	171
LG-50-Q-XX	105	MA2100	15	MR100-70/XX	83	OT420	171
LG-50-T-XX	105	MA4110-XX	24	MR120-20/XX	82	OT420-US-WS	171
LG-50-W45-XX	101	MA4111-XX	25	MR120-25/XX	82	OT430	171
LG-50-W90-XX	101	MA4210-XX	24	MR120-30/XX	82	OT430-US-WS	171
LG6X40ND	121	MA4211-XX	25	MR120-35/XX	82	OT440	171
LG75-XX	99	MA5110-XX	24	MR120-40/XX	82	OT440-US-WS	171
LG-75350-XX	105	MA5111-XX	25	MR120-50/XX	82	OT441	171
LG-75-L-XX	105	MA5210-XX	24	MR120-60/XX	82	OT441-US-WS	171
LG-75-Q-XX	105	MA6110-XX	24	MR120-70/XX	83	OT442	171
LG-75-T-XX	105	MA7110-XX	24	MR150-20/XX	82	OT442-US-WS	171
LG-75-W45-XX	101	MAT-ADAP-4	229	MR150-25/XX	82	OT443	171
LG-75-W90-XX	101	MAT-ADAP-ZB001	229	MR150-30/XX	82	OT443-US-WS	171
LG-CLEANER	97	MAT-BORO-1	219	MR150-35/XX	82	OT444	171
LG-CLEANER/6	97	MAT-BORO-2	219	MR150-40/XX	82	OT444-US-WS	171
LGHD-50250-XX	117	MAT-BORO-3	217	MR150-50/XX	82	OT445	171
LGHD-50-L-XX	117	MAT-BORO-7B	219	MR150-60/XX	82	OT445-US-WS	171
LGHD-50-T-XX	117	MAT-BORO-7B/COMBI	219	MR150-70/XX	83	OT50	171
LG-KL-1/2A4-XX	109	MAT-BORO-800D-2	221	MR200-20/XX	82	P	
LG-KL-1/3DIN-XX	109	MAT-BORO-K50	217	MR200-25/XX	82	PAB-XX	262
LG-KL-216X279-XX	109	MAT-BORO-ZB001	219	MR200-30/XX	82	PAB-EK1	262
LG-KL-108X279-XX	109	MAT-BORO-ZB002	221	MR200-35/XX	82	PAB-F-XX	262
LG-KL-216X139-XX	109	MAT-BORO-ZB003	221	MR200-40/XX	82	PAB-FH-XX	262
LG-KL-216X93-XX	109	MAT-BORO-1200X800	223	MR200-50/XX	82	PAB-KU-XX	257
LG-KL-A4-XX	109	MAT-BORO-1200X800-1	223	MR200-60/XX	82	PAB-KU-EK	257
LG-KL-A5-XX	109	MAT-BORO-1200X800V	223	MR200-70/XX	83	PAB-ZW2	262
LG-KL-KREIS-XX	111	MAT-BORO-1200X800V1	223	MR60-20/XX	82	PAB-ZW3	262

Item Number Index

PAB-ZW4	262	SD013-XX	14	SMB520	87	Z	
PKR-140X417-100-XX	127	SD014-XX	14	SMB525	87	Z500	167
PKR-5S	139	SD015-XX	14	SMB530	87	Z750	167
PKR-A1-200-XX	127	SD016-XX	14	SMB535	87	Z1000	167
PKR-A2-200-XX	127	SD018-XX	14	SMB540	87		
PKR-A3-100-XX	127	SD019-XX	14	SMB550	87		
PKR-A4-100-XX	127	SD020-XX	14	SMB560	87		
PKR-A5-100-XX	127	SD021-XX	14	SMB570	87		
PKR-CH-100	128	SD2M/1310-XX	24	SMB575	87		
PKR-CL-AP-100	128	SD2M/4110-XX	24	SMB580	87		
PKR-CL-DA-100	128	SD2M/4111-XX	25	SMB600	87		
PKR-CL-FS-200	131	SD2M/4210-XX	24	SYSB-XX	153		
PKR-CL-GH-100	129	SD2M/4211-XX	25	SYSB-A4B-XX	159		
PKR-CL-HK-100	129	SD2M/5110-XX	24	SYSB-A4B-WH-U	160		
PKR-CL-KK-100	129	SD2M/5111-XX	25	SYSB-A4-HE-242	160		
PKR-CL-MAD-100	128	SD2M/5210-XX	24	SYSB-A4-HE-90	160		
PKR-CL-MAD-200	131	SD2M/6110-XX	24	SYSB-A4S-XX	159		
PKR-CL-OED-100	129	SD4M/4110-XX	24	SYSB-A4S-WH-U	160		
PKR-CL-OED-200	131	SD4M/4111-XX	25	SYSB-A4-WH-1	160		
PKR-CL-RK-100	130	SD4M/4210-XX	24	SYSB-FH	154		
PKR-CL-RK-200	131	SD4M/4211-XX	25	SYSB-HE-169	155		
PKR-CL-RK-35120	130	SD4M/5110-XX	24	SYSB-HE-35	154		
PKR-CL-RKW-100	128	SD4M/5111-XX	25	SYSB-HE-35-SPERR	155		
PKR-CL-SHD-100	129	SD4M/5210-XX	24	SYSB-RS-120	155		
PKR-CL-SHD-200	131	SDSK/1310-XX	20	SYSB-STARTER-L	151		
PKR-CL-T60-100	128	SDSK/4110-XX	20	SYSB-STARTER-L-W	151		
PKR-CL-VA-100	128	SDSK/4210-XX	20	SYSB-STARTER-M	151		
PKR-CL-VB-100	130	SDSK/5110-XX	20	SYSB-STARTER-M-W	151		
PKR-CL-VS-100	129	SDSK/5210-XX	20	SYSB-STARTER-XL	151		
PKR-CL-VS-200	131	SDSK/6110-XX	20	SYSB-STARTER-XL-W	151		
PKR-CL-WH-100	129	SDSK/7110-XX	20	SYSB-WH-1	154		
PKR-CL-WH-200	131	SDVF/1310-XX	24	SYSB-WH-4	154		
PKR-DK	132	SDVF/4110-XX	24	SYSB-WH-U	154		
PKR-DM50-02	132	SDVF/4111-XX	25	SZW110	177		
PKR-KK	132	SDVF/4210-XX	24	V			
PKR-MH	130	SDVF/4211-XX	25	VB-250-G	167		
PKR-R28	132	SDVF/5110-XX	24	VB-350-G	167		
PKR-RCL-100	130	SDVF/5111-XX	25	VB-500-G	167		
PKR-RCL-200	130	SDVF/5210-XX	24	VB-700-G	167		
PKR-RK-28	130	SDVF/6110-XX	24	VB-1000-G	167		
PKR-RV28	132	SER113	177	VB-BA-MA	208		
PKR-SHK	132	SER114	177	VB-DC-MA-20	208		
PKR-SKH-30	130	SER115	177	VB-KB-A4H-88	179		
PKR-WHB-100	137	SERM113	177	VB-KB-A4Q-88	179		
R		SERM114	177	VB-KBM-A4H-88	179		
R262/XX	86	SERM115	177	VB-KBM-A4Q-88	179		
R3012	86	SERP113	177	VB-LC360-500	189		
R512/XX	86	SERP114	177	VB-LC360-700	189		
R513/XX	86	SERP115	177	VB-LC-500	191		
R514/XX	86	SERP116	177	VB-LC-700	191		
R515/XX	86	SL020-100	56	VB-LP	208		
RBM-MA-15-O	197	SL020-150	56	VB-SH4-MA	208		
RBM-MA-15-D	197	SL020-75	56	VB-SH-MA	208		
RBM-MA-25	197	SL027-100	56	VB-ST-HALT	195		
RBM-MA-35	197	SL027-150	56	VB-WA-1000-G	185		
RBM-MA-35-D	197	SL027-600	56	VB-WA-1500-G	185		
S		SL027-75	56	VB-WA-1700-G	185		
SA12	177	SL027-75	56	VB-WA-2000-G	185		
SA32	177	SL038-100	56	VB-WS4	208		
SA33	177	SL038-150	56	VB-ZB001	208		
SBAM103	177	SL038-75	56	VST-GRIPPER	53		
SBAM104	177	SL047-100	56	VST-LABEL-100	53		
SBAM105	177	SL047-150	56	VST-LABEL-200	53		
SBAP103	177	SL047-600	56	VST-LABEL-300	53		
SBAP104	177	SL047-75	56	VST-LABEL-400	53		
SBAP105	177	SL067-100	56	W			
SD011-XX	14	SL067-150	56	WDH1	16		
SD012-XX	14	SL067-200	56				
		SL067-600	56				

Standard Terms and Conditions of Sale

1. Applicability

- (1) These General Business Terms and Conditions apply to all of our business relationships with our customers (hereinafter, the "Customer"). They apply only if the Customer is an entrepreneur (section 14 of the German Civil Code (BGB)), a legal person under public law, or a special fund under public law.
- (2) Business terms and conditions of the Customer or a third party are not applicable, even where we do not specifically object to their applicability in a given case. Even where we make reference to a writing that contains the business terms and conditions of the customer or a third party or refers to same, this does not constitute agreement with the applicability of such business terms and conditions.

2. Prices

- (1) All prices are listed in euros.
- (2) Unless agreed otherwise, the prices charged are those that are in effect on the delivery date.
- (3) Prices are ex works (Langenfeld), net of packaging and value-added tax.

3. Delivery/shipment/packaging

- (1) Unless not expressly agreed otherwise, delivery shall be made ex works, Langenfeld (Incoterms 2010).
- (2) If, upon request of the Customer, the products are shipped to a place other than the place of performance, shipment and transportation shall be at expense and risk of the Customer.
- (3) We arrange for shipment using the route that appears to us to be the most suitable and in the packaging that appears to us to be the most appropriate. The costs for shipment and packaging, as well as for any special requests, are for the buyer's account.

4. Delivery times

Indicated delivery times are non-binding. Delayed delivery does not entitle the Customer to cancel the order or assert claims for compensation of damages.

5. Retention of title

- (1) We retain title to the delivered goods until payment in full.
- (2) The contract partner (reseller) of **ORGATEX**® GmbH & Co. KG undertakes to demonstrate to its customers who do not immediately pay the purchase price in cash that **ORGATEX**® GmbH & Co. KG retains title. We retain title to the delivered goods until payment in full.

6. Complaints and warranties

- (1) Any obvious defects must be reported promptly in writing not later than eight days after receipt of the goods and include the delivery note.
- (2) We must reserve deviations in raw-material or paper quality, colouring, or other features of the materials within the limits customary in the trade.
- (3) Defects in a part of the delivery cannot lead to objection to the entire delivery.
- (4) For all self-adhesive products, because of the multifaceted possibilities of use, our technical notices concerning application do not relieve customers of the duty to carefully test our products on original materials before they are released for use.
- (5) In the event that the delivered goods have defects, we are initially obligated and entitled to repair them or provide a replacement delivery, at our choice. In the event of failure, i.e. impossibility, unacceptability, refusal, or unreasonable delay of the repair or the replacement delivery, the Customer may reasonably reduce the purchase price or rescind the contract. However, there is no right of rescission in the case of minor defects.
- (6) The Customer's right of recourse against **ORGATEX**® GmbH & Co. KG pursuant to section 478 German Civil Code (BGB) is limited to cases where the Customer has not concluded an agreement with its customers exceeding the scope of the statutory provisions governing claims based on defects.
- (7) The Customer's claims due to a quality defect shall become time-barred one year after the start of the statutory limitation period. This shall not apply in the case of fraudulent concealment of a defect and in the case of failure to comply with a guarantee of specific features.
- (8) If the goods relate to a thing that has been used for a building in accordance with the normal way it is used and has resulted in the defectiveness of the building (building material), the prescription period pursuant to the statutory arrangement is five years following delivery (section 438 para. 1 no. 2 BGB). Also remaining unaffected are the special statutory arrangements for in-rem claims by third parties for return (section 438 para. 1 no. 1 BGB) and for recourse claims against suppliers involving the final delivery to a consumer (section 479 BGB).
- (9) Moreover, the Customer's claims for compensation of damages or reimbursement of expenses due to a quality defect and the limitation period of such claims are subject to section 7.

7. Liability

- (1) We shall be liable without limitation in accordance with statutory provisions for the reimbursement of damages and expenses that are based on wilful misconduct or gross negligence, including wilful misconduct or gross negligence on the part of our legal

representatives or agents (Erfüllungsgehilfen).

- (2) In the case of slight negligence, we shall be liable only to the extent that a breach of material contractual duties is involved. Material contractual duties are those whose fulfillment is essential to enabling the contract to be properly performed and on whose compliance the contract partner may and does normally rely and whose violation jeopardises the purpose of the contract. In such case, however, our liability is limited to the reimbursement of foreseeable damages that typically occur.
- (3) The aforesaid exclusions and limitations of liability apply to the same extent in favour of the legal representatives and agents (Erfüllungsgehilfen) of **ORGATEX**® GmbH & Co. KG.
- (4) The limitations of liability pursuant to the above paragraphs 2 and 3 shall not apply insofar as a defect was fraudulently concealed, a guarantee of specific features have given, or for the liability due to injury to life, body, or health. The liability under the German Product Liability Act (Produkthaftungsgesetz) shall remain unaffected.
- (5) Claims for compensation of damages or reimbursement of expenses due to a quality defect, irrespective of legal reason, against **ORGATEX**® GmbH & Co. KG shall become time-barred one year after the start of the statutory limitation period. This shall not apply to liability in the case of wilful misconduct or gross negligence, including wilful misconduct or gross negligence on the part of our legal representatives or agents (Erfüllungsgehilfen) as well as in the cases stated in the above paragraph 4 and in the cases stated in section 6. para. 8. In such cases the statutory limitation periods shall apply.

8. Returns

In order to avoid unnecessary costs, our agreement must be obtained prior to returning goods. Absent such agreement, we reserve the ability to refuse acceptance. Generally precluded from being returned or replaced are: all special orders, printed items, all magnetic items (e.g. magnetic foils, tapes, bags, inventory tags, etc.).

9. Special fabrications/special prints

- (1) When manufacturing special prints, we cannot assume any responsibility for mistakes that the Customer overlooked or caused in the proof copy. Any resulting correction costs are for the Customer's account. For printed items and special fabrications, the stipulated amount is normally delivered. The Customer is obligated to accept a delivery that exceeds or falls below the ordered amount by 10%.
- (2) The delivered amount is charged. Details about sizes, weights, load capacity, holding capacity, raw-materials quality, paper quality, colouring, and similar inherent features can be only approximately definitive. Changes to products as a result of technical, environmental-protection, or quality-promoting enhancements remain reserved, provided that the Customer can reasonably be expected to accept them.

10. Features/brand name/copyrights

- (1) Changing the features, packaging, blister packs, etc. of our goods, as well as using our brand name in any form whatsoever, is permissible only with our express consent.
- (2) Copyright in and to sketches, drafts, originals, films, packaging inserts, and the like, as well as the right to make reproductions thereof in any procedure and for any purpose of use whatsoever, remains with **ORGATEX**® GmbH & Co. KG. Making reprints, replicas, or reproductions of the products of **ORGATEX**® GmbH & Co. KG is not permitted without its consent. Similarly, making reprints and reproductions of the catalogue contents of **ORGATEX**® GmbH & Co. KG, as well as the posting of same on e-commerce platforms, even as excerpts, is not permitted. We reserve the ability to take legal action in the event of an infraction.
- (3) Printing plates, matrices, lithographs, copy templates, and the like remain the property of **ORGATEX**® GmbH & Co. KG, even where they are billed separately.

11. Minimum order value

Small-run orders are uneconomical and a material cost factor both for our customers and for us. Nevertheless, we have dispensed with setting a minimum order value, but we in any case have to charge a minimum flat rate of EUR 9,-. Export orders can be processed only starting at EUR 255,-.

12. Payment terms

- (1) Our invoices are payable 30 days following the invoice date without deduction.
- (2) We grant a 2 % discount for payment within 10 days following the invoice date.
- (3) The issuance of bills of exchange does not constitute payment.

All prices are net of value-added tax. Changes, printing errors, and all rights reserved!

13. Place of performance and place of jurisdiction

- (1) Langenfeld is the place of performance, unless provided otherwise.
- (2) Place of jurisdiction for both contracting parties is Langenfeld, where the Customer is a merchant, a legal person under public law, or a special fund under public law.

