

Horizontal wrapping machine

CL 030 - 400 / 600 / 800 / 1000



A fully automatic
machine for universal
application



Holding. Wrapping. Packaging.



Machine description

The **CL 030** was designed according to our sophisticated, well-established solutions for your applications, which have proven their worth in the market, and is **fully CE compliant**. This is a **fully-automatic Circle Line wrapping machine** that can be used for **long goods, stack packaging, tray packaging, cardboard boxes** and **sheet formats**.

An **automatic product detection system** is part of the machine's basic equipment. The powered roller conveyor in the infeed and outfeed supports the **fully automatic wrapping process**. The feed speed is **adjustable** on an operating unit. In addition, **different wrapping program stages** can be selected. The wrapping material is cut and supplied by an **automatic film holder** and **swivel cutter**.

The roller conveyors upstream and downstream of the wrapping head can be **adjusted to the required height** based on the **application and product dimensions**. The cylindrical rollers are **PU-coated**. The continuously adjustable braking roller ensures **an even film tension**, thereby guaranteeing the **machine's high wrapping quality**.

Our **special machine design** allows for **risk-free operation** directly in the wrapping area of this modern, reliable wrapping machine.

Application:

The products are **automatically detected**, which starts the automated conveying process. The products are processed by the machine **fully automatically** according to the set parameters. The film is gripped and cut by an **automatic film holder** and **swivel cutter**. The processed product is discharged.

Wrapping program selection

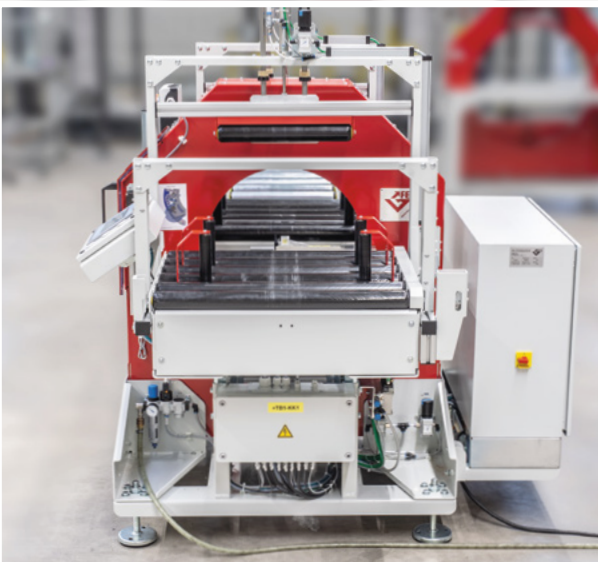
The products are **wrapped lengthwise** according to the selected parameters. In addition, 20 different programs can be saved in the program selection.

Bundling program selection

The products are **bundled (wrapped in one place)** according to the selected parameters. In addition, 20 different programs can be saved in the program selection.

Wrapping bundling program selection

This is a combination of **wrapping** and **bundling**. In addition, **20 different programs** can be saved in the program selection.



Equipment features

The basic machine can be equipped with three different film accommodation mandrels with diameters of 30, 38 or 76 mm.

Design options

You decide based on your desired market image which special RAL colours to use for the machine supplied by us.

All machines from Wrapsolut can be used inline. More info under www.wrapsolut.de

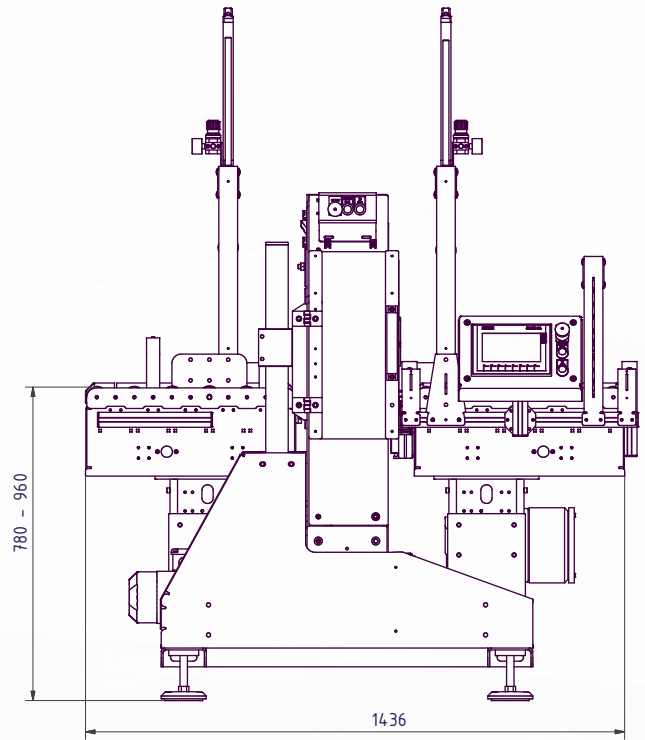
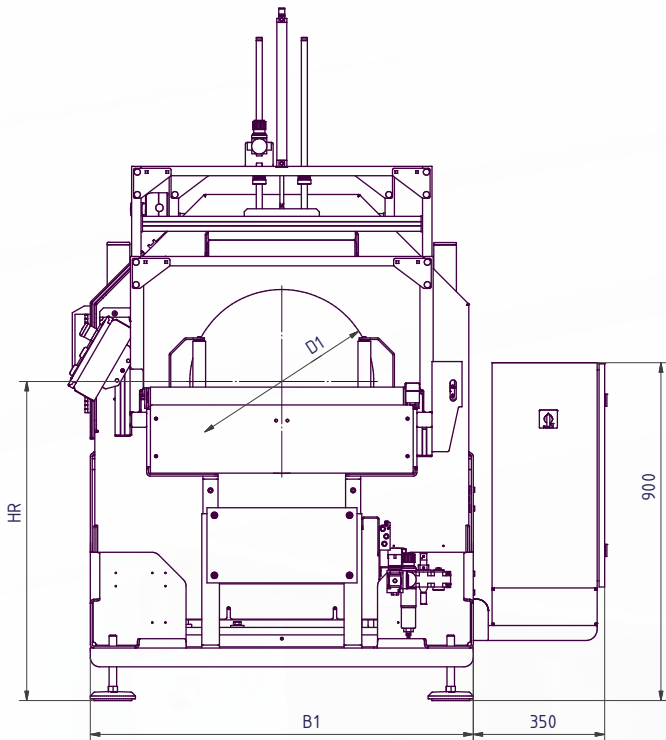


Accessories

- ✓ **Lateral guide/manually adjustable**
A lateral guide roller pair can be manually displaced in the groove and locked in place using a star screw. This allows the products to be guided laterally during the wrapping process.
- ✓ **Lateral guide/automatic centring adjustment**
Two lateral guide roller pairs are mounted on the linear unit and powered pneumatically. The adjustment is centred and synchronised for both roller pairs. Consequently, the lateral guide always adjusts itself to the product width to be processed and guides the products in a centred manner during the wrapping process.
- ✓ **Hold-down unit/one contact pressure roller**
The hold-down unit is mounted in a pneumatically powered linear unit. The hold-down unit automatically adjusts itself to the product and holds it in place during the wrapping process. The hold-down force can be adjusted by means of a throttle.
- ✓ **Hold-down unit/two contact pressure rollers**
The hold-down unit is mounted in a pneumatically powered linear unit. The hold-down unit automatically adjusts itself to the product and holds it in place during the wrapping process. The hold-down force can be adjusted by means of a throttle.
- ✓ **Automatic ring height adjustment**
The height of the products is measured during the conveying process to the wrapping machine. The individual heights are divided into three height classes. The wrapping head moves automatically to the appropriate position (wrapping ring shaft above conveying height) in order to ensure uniform film tension and thus a high wrapping quality during the wrapping process.
- ✓ **Film tear and end detection device**
A film tear and end detection device detects this type of malfunction situations. The machine program starts the respective processing mode and continues the unfinished product wrapping cycle once the malfunction has been rectified. The products do not need to be discharged as rejects.
- ✓ **Film roll end detection**
A sensor checks the roll diameter of the wrapping machine and signals when the diameter has dropped below a minimum value. This allows the operator to detect a required roll change early.
- ✓ **Safety locking mechanism**
The safety locking mechanism is a self-monitoring system which makes it possible for the wrapping material rolls to be changed. When a wrapping material roll is inserted incorrectly, the machine cannot be restarted.
- ✓ **Visual status display**
A signal lamp which is visible from afar shows the machine operating status.
RED = malfunction, YELLOW = insufficient film, GREEN = ready for operation
- ✓ **External switch cabinet**
The switch cabinet is provided with a 5 meter long cable harness and can be installed outside of the machine.
- ✓ **Second film roll intake**
The wrapping ring is equipped with a second film intake. This allows the machine to be equipped with twice the amount of film. This is helpful when the wrapping process involves a very thick film wrapping layer or different wrapping materials are to be used in one wrapping process.
- ✓ **Spare film mandrel**
For faster handling during the loading part of the changing process for wrapping material rolls.



Technical data for CL 030 - 400 to 1000



* adjustable between 45 mm and 115 mm
the drawing shows optional equipment
Dimensions in mm
Technical changes reserved

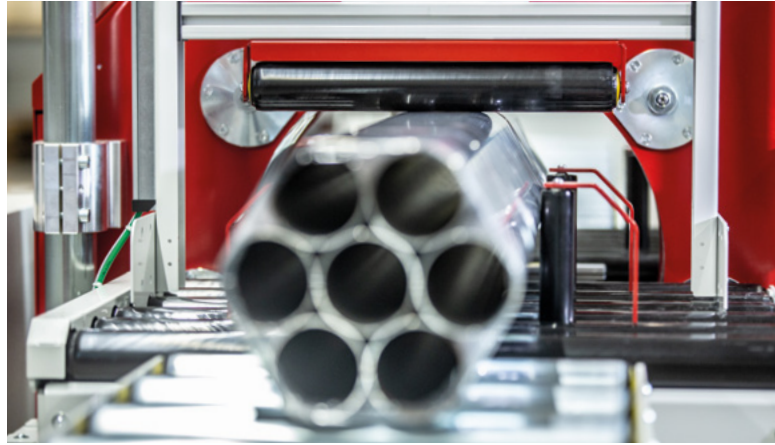
machine size	D1	B1	HR
CL 030 - 400	490	1020	800...940
CL 030 - 600	690	1220	855...1065
CL 030 - 800	890	1420	955...1235
CL 030 - 1000	1090	1620	1055...1405

- Operating unit for:
 - ring speed
 - operating modes
 - programs
 - program parameters
 - manual operation
 - service area
- Safety closing mechanism of the film change flap

Product cross section (mm)	400 / 600 / 800 / 1000 (maximum)
Wrapping ring speed	4.3 / 3.4 / 2.8 / 2.4 (per second, maximum)
Film width	125 mm (maximum)
Film roll exterior Ø	220 mm (maximum)
Roll core / film accommodation mandrel	available in Ø 30 mm, 38 mm (1,5"), 76 mm (3")
Electrical connection	Mains voltage 3 x 400V+N+PE Power plug 16A / CEE Control voltage 24 VDC
Pneumatic connection	Supply pressure 6 to 12 bar Air treatment dried / oil-free Plug-in coupling, nominal diameter 7.2



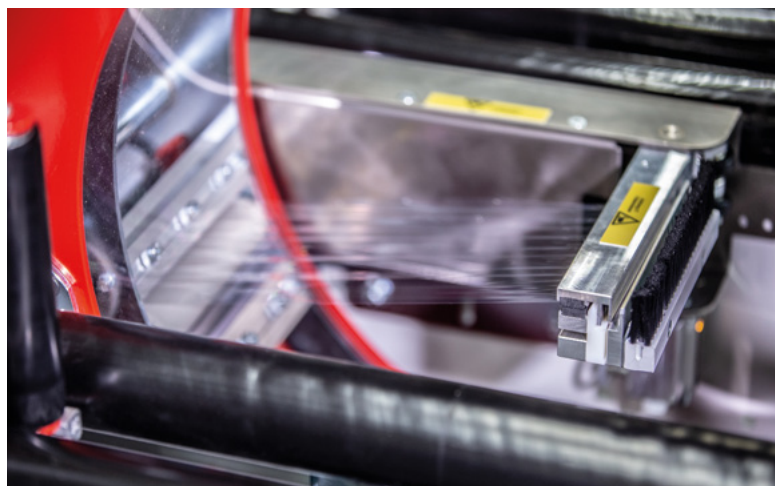




Our customised solutions for your industry through:

- ✓ Technical advice and project support
- ✓ Machine design
- ✓ Control development
- ✓ PLC-programming
- ✓ Machine manufacture and installation
- ✓ Delivery, Commissioning and Instruction
- ✓ Reliable, quick service and spare part supplies

All machines from Wrapsolut can be used inline. More info under www.wrapsolut.de



Fährenkämper GmbH & Co. KG

Kampstraße 35
D-32584 Löhne

Fon: + 49 (0) 57 31 / 8 60 01-0
Fax: + 49 (0) 57 31 / 8 60 01-11

E-Mail: info@faeco.de
Internet: www.wrapsolut.de